

# Gasmate®

## PLANCHA PORTABLE BBQ

Model No. GM152-052, GM152-053, GM152-054



GM152-052



GM152-053



GM152-054

- Portable, tabletop design is ideal for camping or alfresco cooking
- 10.5MJ/hr U-shaped stainless steel burners provides even heat distribution
- Hard-wearing 430 grade stainless-steel body with powder coat
- Spacious enamel coated hotplate
- Rotary ignition for simple lighting
- Easy access removable drip tray
- Supplied with hose and regulator so it's ready to use

---

**Important: Retain these instructions for future use.**

---

## READ ME FIRST

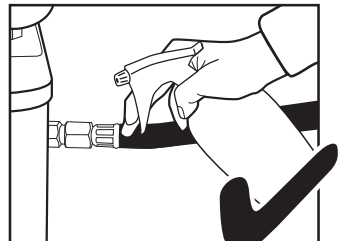
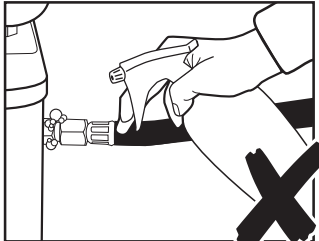
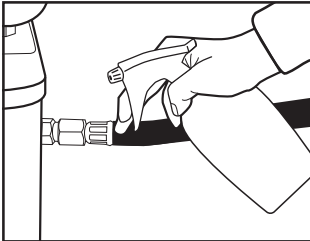


### GAS LEAK TESTING

It is important that you leak test the BBQ before first use and every time the gas cylinder is refilled and reconnected to the BBQ.

#### To Complete Leak Test

- Make sure all the control knobs are OFF.
- In a small container, mix up a solution of water and detergent/soap.
- Mix the solution well (about the same concentrate as washing up water).
- Turn the cylinder ON by rotating the valve handwheel to open position.
- Using a brush or spray bottle apply the soap solution to the gas line and each join in the gas line including:
  - the gas connection at the inlet of the BBQ
  - all gas hose connections
  - the gas connection at the gas cylinder
- If bubbles appear, there is a gas leak.
- If the leak is at the connection, re-tighten and re-seal.
- If the leak is anywhere else or you cannot resolve the leak by tightening the connection DO NOT PROCEED.
- Replace gas hose and regulator.
- Replacement hose and regulators can be purchased from your local BBQ retail specialist.



## GENERAL INFORMATION



### IMPORTANT

Read these instructions carefully prior to use. Familiarise yourself with the appliance before connecting it to its gas container. Keep these instructions for future reference.



### IF YOU SMELL GAS

1. Shut off gas to the barbecue at its source, if possible.
2. Extinguish any open flame.
4. If odour continues immediately call your gas supplier or fire department.

## Specifications

Barbecue specifications can be found on the data label attached to the barbecue body.

## Hose & Regulator Safety

The regulator and hose assembly supplied with the barbecue are suitable for L.P.G. only.

A gas regulator adjusted to have an outlet pressure of supplied for connection to the LPG cylinder. The pressure regulator and hose assembly supplied with the barbecue must me used. Replacement pressure regulators and hose assemblies must be those specified by the barbecue manufacturer.

When connecting the hose and regulator assembly to the gas cylinder, take care to avoid unnecessary twisting of the flexible hose.

After the assembly has been secured, turn on the gas and check for leaks by brushing a soap and water solution over all connections.

If you are unable to correct the leak by tightening the connections, turn off the gas and contact the supplier immediately.

Always ensure the barbecue is kept away from flammable materials and the gas cylinder clear of any heat source.

When changing over from an empty gas cylinder to a full one make sure this procedure is carried out in a well ventilated location, preferably outside, away from people and away from any sources of ignition; such as naked flames, pilot flames, electric heaters/equipment.

## Gas Cylinder Use & Safety

This is a low pressure barbecue and must only be used with the regulator supplied.

The gas cylinder should be filled by a reputable gas supplier and visually inspected and re-qualified at each filling.

Always keep cylinder in an upright position. Always close the cylinder valve when the barbecue is not in use.

Do not subject gas cylinder to excessive heat.

### NEVER STORE YOUR GAS CYLINDER INDOORS.

If you store your barbecue indoors, ALWAYS disconnect the gas cylinder first and store the cylinder safely outside.

Cylinders must be stored outdoors in a well ventilated area out of reach of children, and must not be stored in a building, garage or any other enclosed area.

## Gas Installation Codes

- Barbecues must be used in accordance with New Zealand Standard 5601 "Gas Installations".
- Barbecues for use with bottled gas are labelled 'L.P.G'.
- Barbecues for use with natural gas are labelled 'natural gas' and must be installed by an authorised person. Check the gas type sticker attached to the barbecue.

## Clearances

Minimum Clearances from combustibile materials must be:

Rear - 600mm Sides - 600mm Above - 1000mm

## GENERAL INFORMATION



### FOR YOUR SAFETY

Failure to comply with these instructions could result in a fire or explosion which could cause serious bodily injury, death or property damage.

#### **CAUTION: Accessible parts may be very hot.**

Keep young children away.

DO NOT modify this appliance.

DO NOT move this barbecue during use.

Turn off gas supply at the gas cylinder after use.

Parts sealed by the manufacturer or their agent must not be manipulated by the user. This barbecue is only to be used and stored outdoors.

- Never operate this barbecue without a regulator.
- Do not test for gas leaks with an open flame.
- If this information is not followed exactly a fire causing death or serious injury may occur. Do not store a spare gas cylinder under or near this barbecue. This barbecue is only to be used and stored outdoors.
- If there is a leak on your appliance (smell of gas) immediately attempt to turn off the cylinder valve. Remove the appliance to a well ventilated location away from any ignition source. Only check for leaks outdoors using soapy water. DO NOT try to detect leaks using a flame.
- Check for leaks by brushing a soap and water solution over all connections. If you are unable to correct the leak by tightening the connections, turn off the gas and contact customer service immediately.
- Only use the hose assembly as supplied with this appliance for connection to the cylinder - DO NOT USE ADAPTORS.
- Maximum hose length - 1000mm.
- After use turn the gas cylinder valve off, wait for the flame to go out, then turn the appliance control valve off.
- Avoid twisting or kinking the flexible hose.
- Do not store or use petrol or other flammable liquids in the vicinity of this or any other appliance.
- Do not store empty or full spare gas cylinders near this or any other appliance.
- Never test for gas leaks with a lit match or open flame. Never light barbecue before checking to ensure the burner tubes are fully seated over gas valve orifices.

- Never lean over cooking surface when lighting.
- Never alter or modify the regulator or gas supply assembly.
- This barbecue must not be used indoors.
- Only use in well ventilated areas.
- CARBON MONOXIDE HAZARD - USING THIS APPLIANCE IN AN ENCLOSED SPACE MAY CAUSE DEATH. DO NOT USE IN CARAVANS, TENTS, MARINE CRAFT, CARS, MOBILE HOMES OR SIMILAR LOCATIONS.
- This appliance shall only be used in an above ground open-air situation with natural ventilation, without stagnant areas, where gas leakage and products of combustion are rapidly dispersed by wind and natural convection.
- Ensure the barbecue is set up on a level and stable surface.
- Do not move the barbecue while in use or when hot. Remove the drip tray before moving.

#### **IF THERE IS A FIRE**

- If the fire is at the barbecue, turn the gas off at the cylinder. Smother the flames with a wet cloth, fire blanket or extinguish using a fire extinguisher.
- If the fire is at the cylinder, or you can not get to the valve to turn the gas off, contact the fire brigade immediately.
- Using a garden hose, direct the water to the middle of the cylinder to keep it cool. Try not to extinguish the flame. At least if the gas is burning, it won't be able to build up pressure and explode.

## Location of your Barbecue

DO NOT use your barbecue in garages, porches, sheds, breezeways, or other enclosed areas. Your barbecue is to be used OUTDOORS. The barbecue is not intended to be installed in or on recreational vehicles and/or boats and should not be placed under any surface that will burn. Do not obstruct the flow of combustion and ventilation air around the barbecue housing.

## Protect Children

Keep children away from barbecue during use and until barbecue has cooled after you have finished. Do not allow children to operate barbecue.

Always ensure that no sporting or physical activities are carried out in close proximity to the barbecue during use and while still hot.

## Check Barbecue for any Damage

Inspect barbecue parts as you proceed. Contact your supplier for assistance regarding replacement of any damaged or missing parts. Do not assemble or operate a barbecue that appears damaged. Barbecues for use with gas cylinders are labelled 'ULPG'. Check labelling at the gas connection on your barbecue.

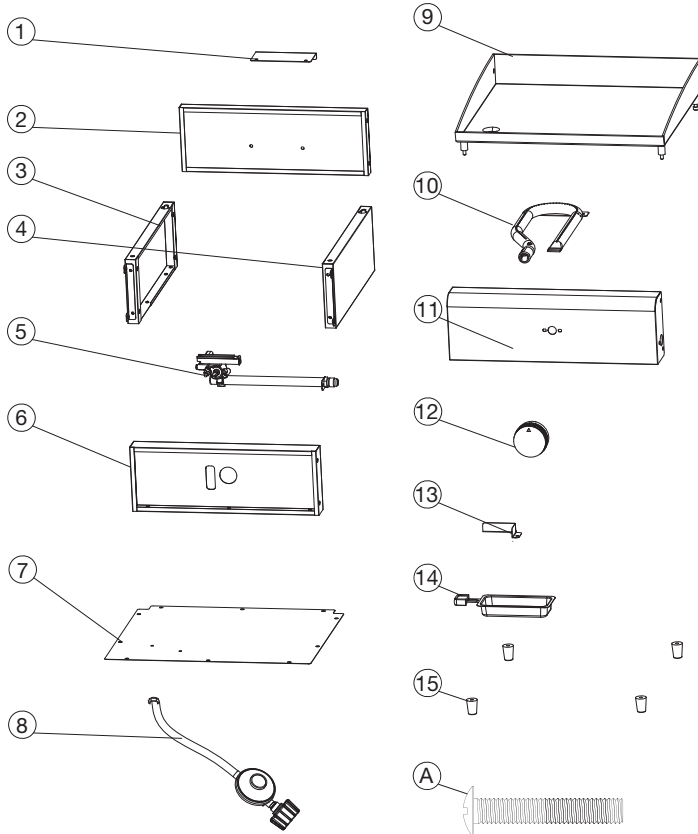
## Transporting your Barbecue

Never transport your barbecue when attached to a gas cylinder. Secure both barbecue and cylinder separately before transport. Never transport a hot barbecue. Gas cylinders must be transported upright, fully secured and out of direct sunlight.

## Nominal Hourly Gas Consumption

	Main Burner
Gas Type	ULPG
Inj. Size	0.85mm
Gas Cons.	10.5MJ/h Per Burner
Gas Pressure	2.75kPa

# EXPLODED DIAGRAM - 1 BURNER



## PARTS LIST

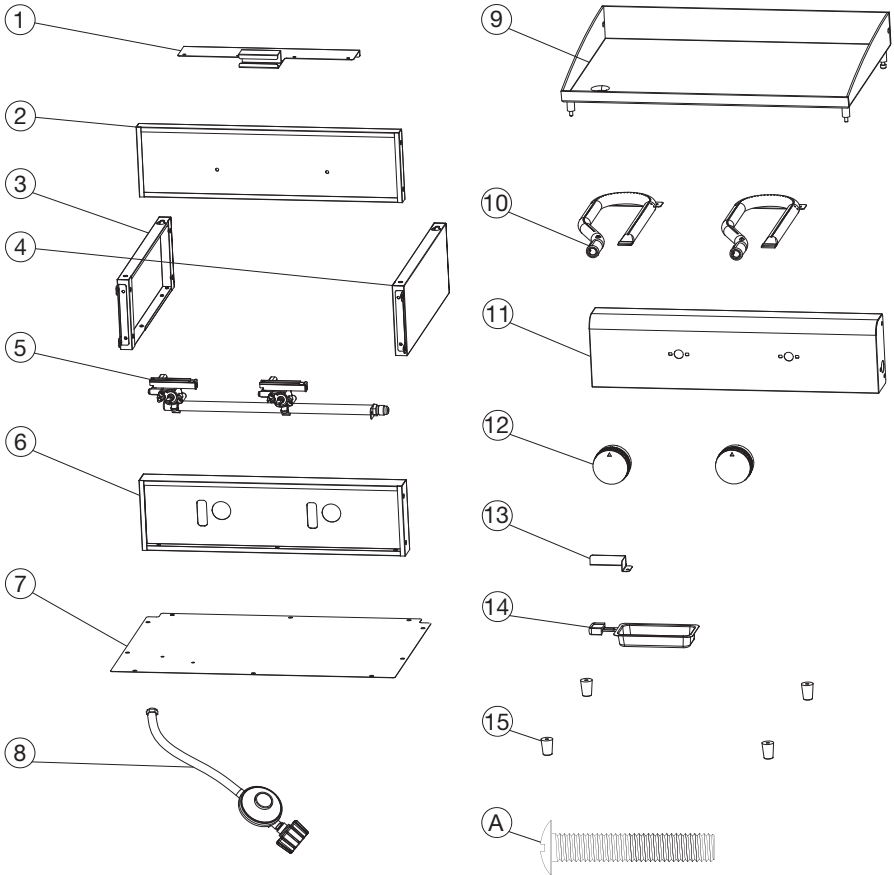
Part	Description	QTY
1	Burner Support	1
2	Firebox back panel	1
3	Firebox left side panel assembly	1
4	Firebox right side panel assembly	1
5	Manifold	1
6	Firebox front panel	1
7	Bottom heat shield plate	1
8	Regulator & hose assembly	1
9	Hot plate assembly	1

Part	Description	QTY
10	Burner assembly	1
11	Control panel	1
12	Knob	1
13	Drip tray positioning plate	1
14	Drip tray assembly	1
15	Rubber feet	4

## HARDWARE

Part	Description	QTY
A	M4 x 20	4

## EXPLODED DIAGRAM - 2 BURNER



## PARTS LIST

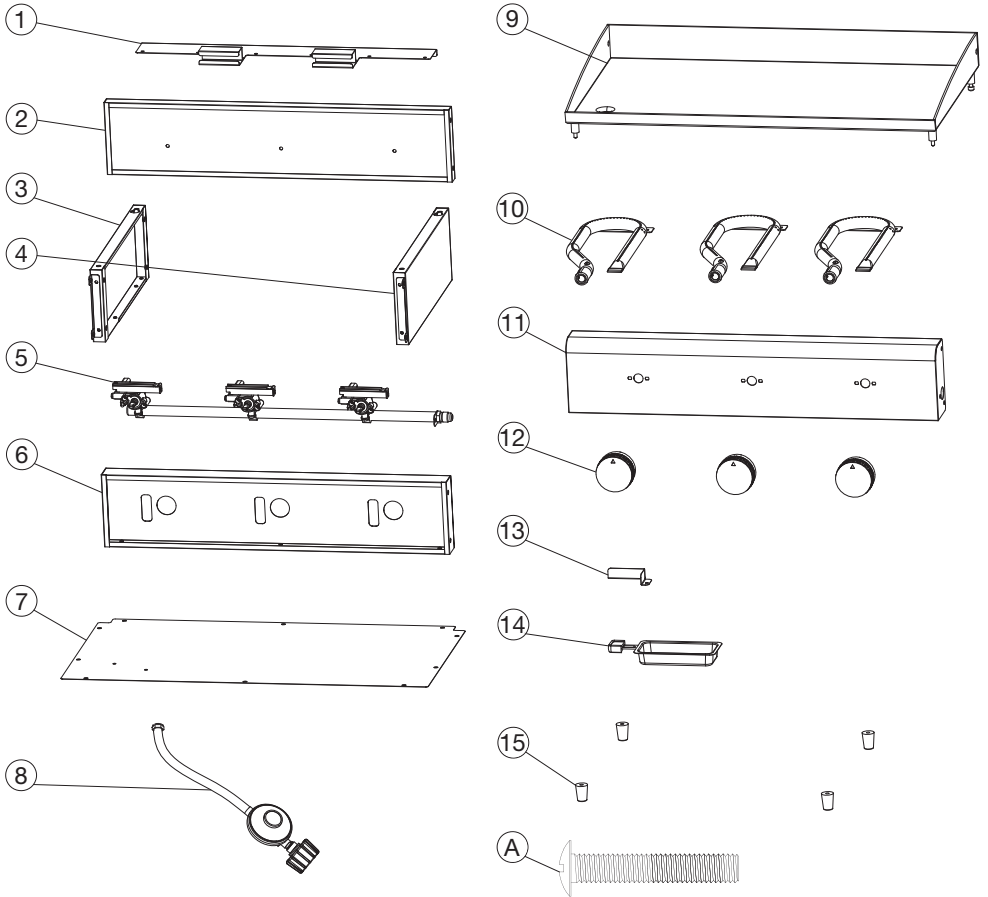
Part	Description	QTY
1	Burner Support	1
2	Firebox back panel	1
3	Firebox left side panel assembly	1
4	Firebox right side panel assembly	1
5	Manifold	1
6	Firebox front panel	1
7	Bottom heat shield plate	1
8	Regulator & hose assembly	1
9	Hot plate assembly	1

Part	Description	QTY
10	Burner assembly	2
11	Control panel	1
12	Knob	2
13	Drip tray positioning plate	1
14	Drip tray assembly	1
15	Rubber feet	4

## HARDWARE

Part	Description	QTY
A	M4 x 20	4

## EXPLODED DIAGRAM - 3 BURNER



## PARTS LIST

Part	Description	QTY
1	Burner Support	1
2	Firebox back panel	1
3	Firebox left side panel assembly	1
4	Firebox right side panel assembly	1
5	Manifold	1
6	Firebox front panel	1
7	Bottom heat shield plate	1
8	Regulator & hose assembly	1
9	Hot plate assembly	1

Part	Description	QTY
10	Burner assembly	3
11	Control panel	1
12	Knob	3
13	Drip tray positioning plate	1
14	Drip tray assembly	1
15	Rubber feet	4

## HARDWARE

Part	Description	QTY
A	M4 x 20	4



# ASSEMBLY INSTRUCTIONS

Remove any transit protection material. Remove all contents from the carton packaging. Make sure all parts are present before attempting assembly.

Once the BBQ is fully assembled, go back and check to make certain all the bolts are secure. Tighten again using a screwdriver if necessary.

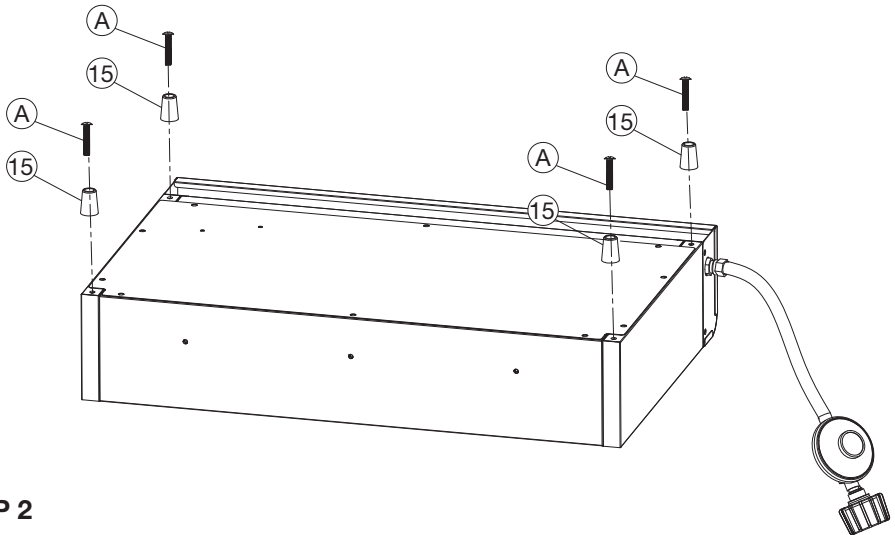
Estimated assembly time: 15 minutes

## Tools You Will Need

Phillips head screwdriver

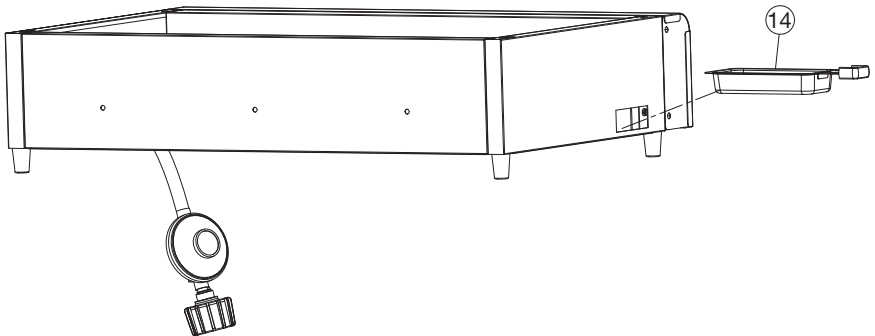
## STEP 1

Attach the 4 x feet (15) to the body of the plancha (2) using 1x M4x12 screw (A) per foot.



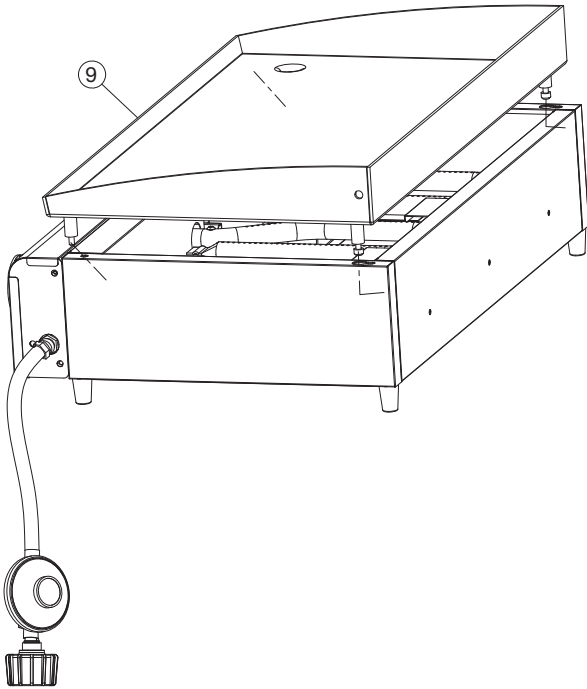
## STEP 2

Insert the drip tray (14) into the body of the Plancha (2).



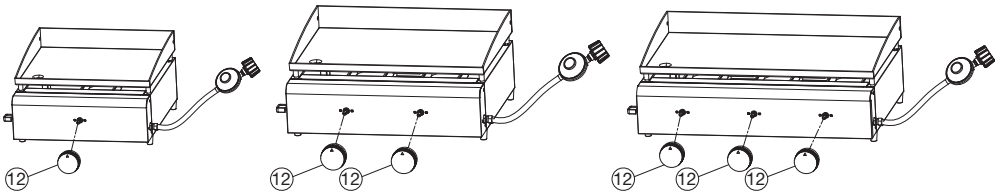
### STEP 3

Attach the hot plate (9) on to the body of the Plancha (2) by positioning the back feet of the hot plate into the back holes of the body. Push the hot plate back into the groove, then position the front feet into the front holes of the body.



### STEP 4

Attach the knob (12) to the control panel (11) to complete the construction of your plancha.



## GENERAL INFORMATION

### CONNECTING & DISCONNECTING TO GAS SOURCE

Familiarise yourself with the general information and safety guidelines located at the front of this manual.

#### Check

1. Gas cylinder is filled. A sloshing sound will be heard when shaken.
2. The burner control is in the 'OFF' position

#### Connecting

1. Ensure valve is in OFF position.
2. Check for any damage to the cylinder connection.
3. Attach the regulator to the cylinder valve.
4. Use a soapy water solution to check the joint. If bubbles appear the connection will need to be re-tightened.

#### Regulator Safety Feature

All QCC regulators (the part that attaches to the gas cylinder to regulate the flow of gas) have a safety feature included that restricts gas flow in the event of a gas leak. You can inadvertently activate this safety feature without having a gas leak. This typically occurs when you turn on the gas using the barbecue control knob before you turn on the gas cylinder valve.

If the gas regulator safety feature activates, the barbecue will operate with reduced output as gas flow is restricted.

These steps should be taken first to reset the gas regulator safety device:

1. Turn gas cylinder valve off.
2. Turn off all control knobs.
3. Disconnect the regulator from the gas cylinder.
4. Wait 30 seconds.
5. Reconnect the regulator to the gas cylinder.
6. Leak test the connection using a soapy water solution. Ensure no bubbles appear before proceeding.
7. Slowly open the gas cylinder valve all the way. Do not put excessive force on the valve at the full open position, to avoid damaging the valve.
8. Light barbecue as per the instructions provided.

## LIGHTING PROCEDURE

### Burner Operation & Ignition System Check

1. Turn the control knob clockwise to "OFF" position.
2. With cylinder valve in 'CLOSE' position push and turn the control knob to HIGH. Check for sparking to the burner.
3. If spark is not evident at the burner ignition point, check that the ignition lead is firmly attached to the control and sparker tip.
4. With sparking established turn the cylinder valve to 'OPEN'.
5. Push and turn control knob anti-clockwise to 'HIGH'.
6. If the burner fails to ignite after several attempts turn off gas supply at cylinder valve and the control knob off (clockwise). Wait five minutes before attempting to relight with ignition sequence.
7. Following successful ignition, adjust the heat by turning the control knob to the "HIGH"/"LOW" position.
8. To turn the barbecue 'OFF' turn the cylinder valve to the 'CLOSE' position, then turn the control knob on the barbecue clockwise to the 'OFF' position.

# OPERATION

## BURNER OPERATION & IGNITION SYSTEM CHECK

Problem	Possible Reason	Solution
Burner will not ignite	Control knob is closed	Turn knob to high when lighting
	Igniter is faulty	Use a long barbecue match inserted through the gap on under side of barbecue plate
Food is not cooking or is taking too long	Burner has gone out	Check that the gas cylinder is not empty and re-ignite the burner
	Cooking surface was not given enough time to warm up before the food was applied	Remove the food and give the burner time to warm the cooking surface (5-10 mins)
	There is too much food on the cooking surface	Cook smaller portions

## OPERATING PROCEDURE

### Cooking

The control knob can be turned from 'HIGH' to 'LOW' depending on the heat required.

### Servicing

Servicing should be conducted every year or sooner if required.

The appliance must only be serviced by an authorised person.



### IMPORTANT

Do not smoke at any time when attempting to ignite the barbecue burner.

Do not leave the barbecue unattended when alight.



### IMPORTANT

- **IMPORTANT:** Before connecting and disconnecting barbecue to gas source, make sure burner controls are in 'OFF' position.
- **CAUTION:** When the barbecue is not in use, the gas cylinder must be disconnected.
- Check that the seals between the appliance and the gas cylinder are in place and in good condition before connecting the gas cylinder.
- Do not use this appliance if it has damaged or worn seals.
- Check performance of burner prior to installing barbecue plate.
- Do not smoke when attempting to ignite barbecue.
- Never use volcanic rock, heat beads or other material.
- Always use protective gloves when handling hot components.

## CARE & MAINTENANCE

As with all appliances, proper care and maintenance will keep them in top operating condition and prolong their life. Your new gas barbecue is no exception. By following these cleaning procedures on a timely basis, your barbecue will be kept clean and working properly with minimum effort.

### Flash-Back

Spiders and small insects occasionally spin webs or make nests in the burner tubes during warehousing and transit.

These webs can lead to a gas flow obstruction which could result in a fire in and around the burner tubes. Cleaning with a soft brush before use and at least every six months is recommended.

This type of fire is known as 'FLASH-BACK' and can cause serious damage to your barbecue and create an unsafe operating condition for the user. Although an obstructed burner tube is not the only cause of 'FLASH-BACK' it is the most common cause and frequent inspection and cleaning of the burner tubes is necessary.

If fire occurs in and around the burner, immediately turn off gas at its source and turn the burner control to 'OFF', wait until the barbecue has cooled, then clean the burner tubes and burner ports.

### Cleaning the Cooking Surface

After cooking, turn burner control to 'OFF' and let barbecue cool before attempting to clean the hotplate. Before first use and periodically, it is suggested that you wash the hotplate in a mild soap and warm water solution.

### Care of Cooking Surface

Use and care of the cooking surface is important. Do not use pans on the cooking surface. Do not overheat the cooking surface.

### Cleaning the drip tray

To avoid fat or grease dripping from the base of the Plancha, remove and empty the drip tray after each use. Wait until the drip tray is cool to touch before disposing of contents.

The drip tray should be washed periodically in a mild detergent and warm water solution.



### IMPORTANT

- Beware of spiders and wasps. Burner tube should be inspected and cleaned periodically.
- This appliance must only be serviced by an authorised person.
- To avoid any flare-ups, it is recommended that the drip tray be checked and emptied regularly. Contents of the drip tray may be very hot during cooking. If emptied during extended cooking extreme caution should be taken and direct contact by hand should be avoided at all times. Allow to cool completely before disposing of the contents.

# SAFE APPLIANCE LOCATIONS

This appliance shall only be used in an above ground open-air situation with natural ventilation, without stagnant areas, where gas leakage and products of combustion are rapidly dispersed by wind and natural convection.

## Any enclosure in which the appliance is used shall comply with the following:

An enclosure with walls on all sides, but at least one permanent opening at ground level and no overhead cover.

Within a partial enclosure that includes an overhead cover and no more than two walls.

## Within a partial enclosure that includes an overhead cover and more than two walls, the following will apply:

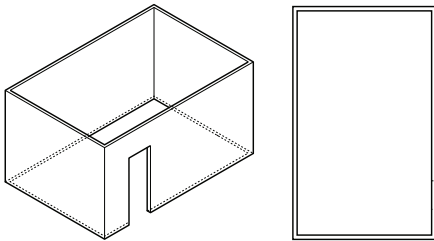
at least 25% of the total wall area is completely open, and,

at least 30% of the remaining wall area is open and unrestricted.

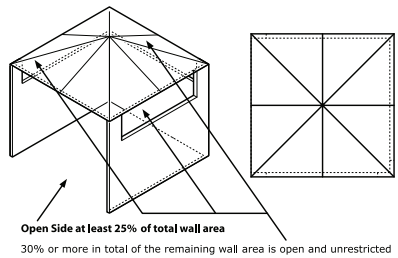
## In the case of balconies, at least 20% of the total wall area shall be and remain open and unrestricted.

## DIAGRAMMATIC REPRESENTATIONS OF OUTDOOR AREAS

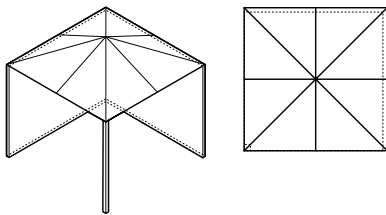
The following figures are diagrammatic representations of outdoor areas. Rectangular areas have been used in these figures – the same principles apply to any other shaped area.



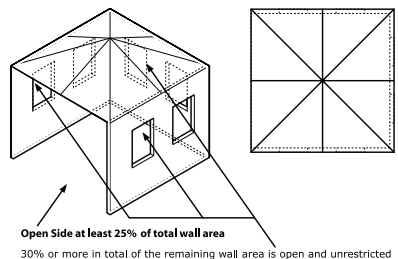
Outdoor Area - Example 1



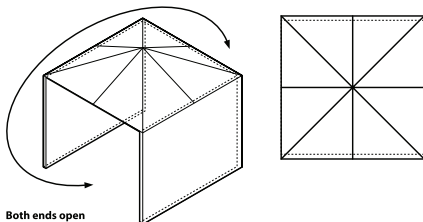
Outdoor Area - Example 4



Outdoor Area - Example 2



Outdoor Area - Example 5



Outdoor Area - Example 3



Aber Living warrants the purchaser of this product against defects in workmanship and material, for a period of up to 12 months from the date of purchase. The warranty is non-transferable and becomes void if used for commercial or rental purposes.

Warranty and purchase receipt of this product are to be retained as proof of purchase and must be presented if making a claim under the terms of the Aber Living Warranty. Repairs under warranty are free of charge, provided the product is delivered to our Service Department or Authorised Service Agent and freight charges both ways are paid by the owner. No liability will be accepted for any loss of damage in transit.

Aber Living reserves the rights to replace or repair the product within the warranty period. Warranty does not apply to any defect, deterioration (including corrosion if located within 1km of the sea), loss, injury or damage occasioned by or as a result of the misuse or abuse, negligent handling or if the product has not been installed and used in accordance with the instructions. The warranty is void if there is evidence of the product being tampered with by unauthorised persons.

If the product includes one or a number of accessories, only the defective accessory or part will be replaced.

In the event of Aber Living choosing to replace the product, the warranty will expire at the original date, i.e. 12 months from the original purchase date.

Where this product contains information from an overseas country, nothing in that information is intended to limit any condition, guarantee, right or remedy which may be available under the Consumer Guarantees Act 1993, except to the extent permitted by that Act.

Approved for Outdoor Use Only.

For service, spare parts or product information in New Zealand, please call Aber Living on the Customer Service Line - 0800 161 161. [www.aberliving.co.nz](http://www.aberliving.co.nz)

**YOUR PURCHASE RECORD (please complete)**

Date of Purchase \_\_\_\_\_

Model Number \_\_\_\_\_

Serial Number (if applicable) \_\_\_\_\_

Purchased from \_\_\_\_\_