

FOLD

BACK PAGE

FOLD

FRONT PAGE

SAFETY TIPS:

DO'S

- Turn gas off at ignition knob after use.
- Check that burner is fully extinguished before disconnecting the gas container.
- Remove the gas cartridge when not in use.
- Change the gas container outside and away from people.
- Check the seals before connecting a new gas container to the appliance.
- Always remove the cooker from the carry case prior to use.
- Ensure the pan support is turned upright before inserting the cartridge.
- Keep children away from this appliance.
- Make sure there is adequate ventilation under the unit.
- Only operate on flat, horizontal surfaces.
- Use the cooker in cool places or in the shade. Keep the cartridge compartment out of direct sunlight.
- Always check the gas cartridge position inside the compartment for leaks. If a leak occurs, turn off the supply and remove the gas cartridge.

CARE AND CLEANING:

- The outside of the cooker can be wiped clean with a mild solution of dishwashing detergent and finished off with a dry cloth. Do not use abrasive pads.
- The removable drip pan can be washed thoroughly. Always dry after washing.
- We recommend the burner head be cleaned by gentle scrubbing with a dry brush at least annually. Ensure that the burner ports are free of any obstructions.
- Occasionally clean the point of the piezo plug with a hard brush or file.

KEEP THIS APPLIANCE AWAY FROM COMBUSTIBLE MATERIALS

MINIMUM CLEARANCES: REAR 250mm - SIDE 250mm - TOP 1200mm

Nominal gas consumption - 140g/h Injector Size 0.5mm

DONT'S

- DO NOT OPERATE IN AN ENCLOSED AREA WITHOUT VENTILATION.
- DO NOT operate in a boat, caravan or tent.
- DO NOT modify this appliance.
- DO NOT use the cooker in sand or on gravel surfaces.
- DO NOT move the cooker while it is lit.
- Avoid using the cooker in very windy conditions.
- DO NOT use a cooking pan that is larger than 27cm in diameter.
- DO NOT use appliance as a room heater or clothes drier.
- DO NOT place articles on or against this appliance.
- DO NOT place chemicals or flammable materials, or spray aerosols near this appliance.

TROUBLESHOOTING:

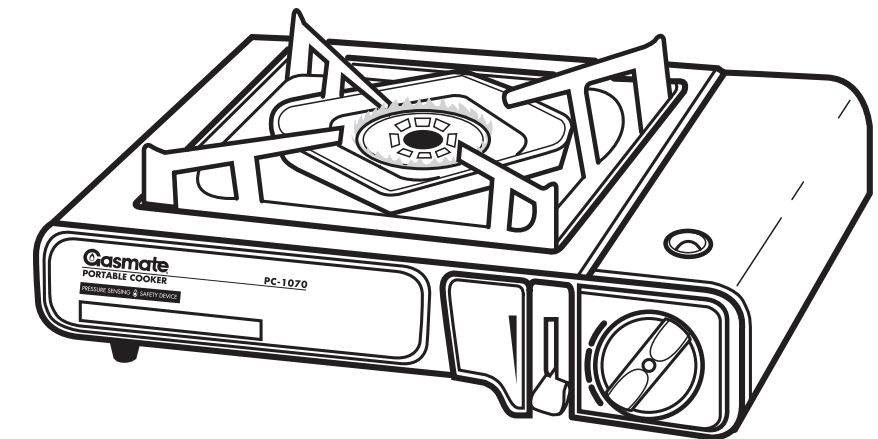
Problem Cause	No Ignition	No Burning	Unstable Flame	Uneven Flame	Slow Burning	Gas Smell	Stopped Working While In Use	Continued Burning	Solution
Lack of fuel	●	●			●		●		Replace Cartridge
Piezo plug dirty	●								Clean spark point
Dirty burner	●	●	●	●	●				Clean burner
Cartridge misaligned	●	●	●		●	●			Reset correctly
Dirty burner or empty cartridge	●	●		●	●				Request for inspection/service
Faulty knob mechanism	●					●		●	Request for inspection/repair
Internal gas pressure too high							●		Cool down gas
Safety device activated	●							●	Request for inspection/service
Improper setting of spark point	●								Set spark point to 2mm (5/64") away from burner

Due to continual development, specifications are subject to change without notice.



Portable Cooker – PC1070

- 7 MJ/h or 6,650 BTU output
- Rotary piezo ignition
- Pressure sensing safety shut-off device
- Convenient storage/carry case
- Perfect for camping or home
- Uses standard butane cartridge
- For outdoor use only
- AGA Certified



WARNING

 ONLY USE IN WELL VENTILATED AREAS. CARBON MONOXIDE HAZARD - THIS APPLIANCE CAN PRODUCE CARBON MONOXIDE WHICH HAS NO ODOUR. USING IT IN AN ENCLOSED SPACE (FOR EXAMPLE, CARAVAN, TENT, CAR, MOBILE HOME) MAY CAUSE DEATH.

DO NOT USE MULTIPLE APPLIANCES TO HEAT A SINGLE COOKING DEVICE
DO NOT USE OVERSIZED COOKING DEVICES (MAXIMUM 27cm DIAMETER)
DO NOT USE AS A SPACE HEATER OR FOR ANY PURPOSE OTHER THAN COOKING
DURING USE AVOID BOIL OVER AND SPILLAGE

Gasmate® is a registered trademark of: Sitro Group Australia Pty Ltd www.gasmate.com.au
 Aber, Hamilton, N.Z www.gasmate.co.nz

Important: Retain these instructions for future use.

FOLD

FOLD



WARNING

BEFORE INSERTING A CARTRIDGE, ALWAYS ENSURE THAT THE PAN SUPPORT/DRIP TRAY HAS BEEN TURNED AND PLACED IN THE UPRIGHT AND CORRECT POSITION.

IMPORTANT

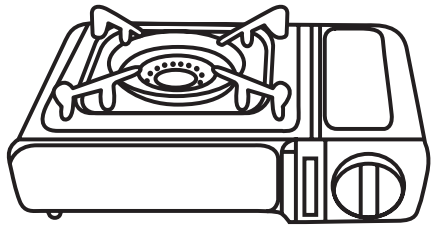
Read these instructions for use carefully. Familiarise yourself with the appliance before connecting it to its gas container. Keep these instructions for future reference.

This appliance shall only be used with a Butane gas cartridge certified to EN 417 or equivalent.

IT MAY BE HAZARDOUS TO ATTEMPT TO FIT OTHER TYPES OF GAS CONTAINERS.

* REMOVE ANY TRANSIT PROTECTION MATERIAL.

CAUTION

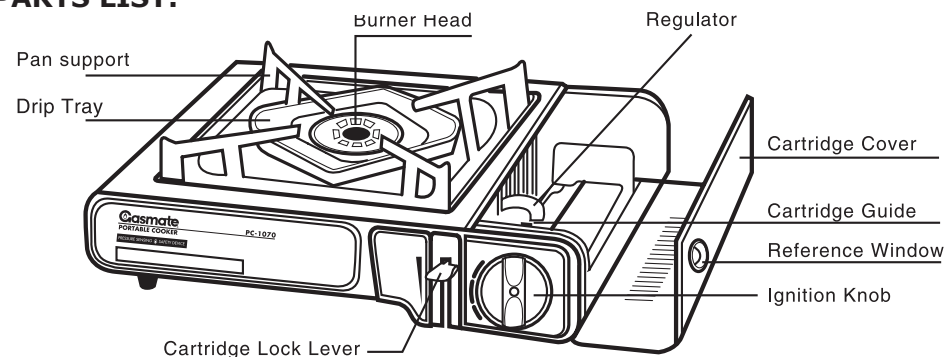


**PAN SUPPORT
COOKING POSITION**



**NOT FOR COOKING
FOR STORAGE ONLY**

PARTS LIST:



TO START:

INSERTING THE GAS CARTRIDGE

1. Turn the Ignition Knob to 'OFF' and set the Cartridge Lock lever to 'OFF'. (Fig. 1)

Note: If the Ignition Knob is 'ON' the gas cartridge cannot be loaded into the cooker.

2. Open the Cartridge Cover: slide the gas cartridge, top end first and with its notch up, into the compartment. Align the notch with the loading guide in the compartment. (Fig. 2)

Check that the seals between the appliance and the gas container are in place and in good condition before connecting the gas container.

- DO NOT use this appliance if it has damaged or worn seals.
- DO NOT use this appliance if it is leaking, damaged or does not operate properly.

3. Push the Cartridge Lock down to 'ON' in one firm motion (Fig. 3).

Note: If the Pan Support has not been turned over into its upright position the lever will not engage.

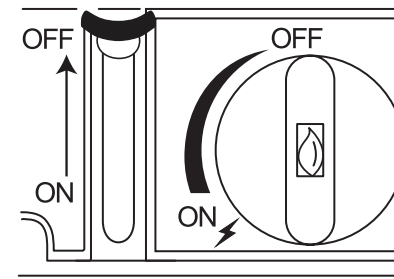


Fig. 1

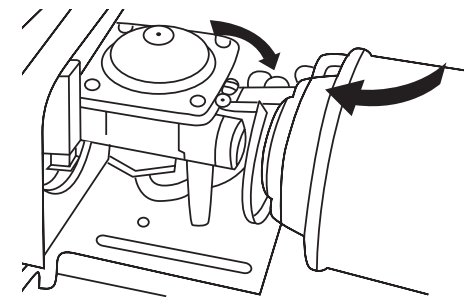


Fig. 2

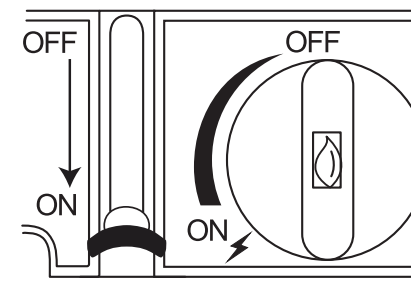


Fig. 3

LIGHTING THE COOKER:

1. Turn the knob anti-clockwise past the 'ON' position until a click is heard.
2. If the burner fails to light, immediately turn the Ignition Knob to the 'OFF' position and repeat Step 1.

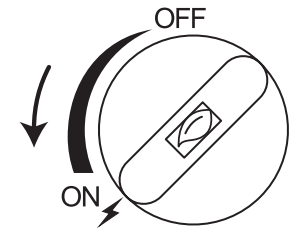


Fig. 4

TO ADJUST HEAT:

1. Flame can be controlled by turning the Ignition Knob between the 'ON' and 'OFF' position.

TO SHUT OFF:

1. Turn the Ignition Knob to 'OFF' to shut off fuel supply (Fig. 5). Wait until the flame is fully extinguished before performing the next step.
2. Raise the Cartridge Lock Lever to 'UNLOCK' and remove the gas cartridge from the compartment.

Note: Do not leave the gas cartridge inside the unit when not in use.

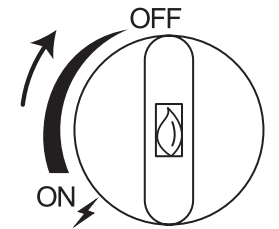


Fig. 5

- The cartridge may be disconnected even if some gas remains.
- Check the contents by shaking and listening for the liquid gas.

Gas containers shall only be changed in a well ventilated location, preferably outside, away from people and way from sources of ignition; such as naked flames, pilot flames, electric heaters/equipment.

If there is a leak on your appliance (smell of gas) and you cannot stop the gas flow, remove the appliance to a well ventilated location away from any ignition source. Only check for leaks outdoors using soapy water. DO NOT try to detect leaks using a flame.

This appliance must only be serviced by an authorised person.

AFTER USE:

1. Replace the cap on the gas cartridge after removing it from the unit. Store upright in a cool dry place.
2. Make sure the burner is cool to touch before packing unit away.
3. **DO NOT** store the cartridge near other flammables. **DO NOT** store the cartridge near sources of heat or direct sunlight. **DO NOT** store in the glove compartment or boot of your car. **DO NOT** puncture or incinerate empty cartridges.

HANDLING WHEN THE AUTOMATIC SAFETY SHUT-OFF DEVICE IS ACTIVATED:

- When used in high temperature areas, such as the beach during summer or in a hot room, the internal pressure of the cartridge may rise to more than 7Kg/cm² (normal pressure = 3-4Kg/cm²) This will activate the Automatic Safety Shut-off Device inside the regulator.
- Remove the Gas Cartridge from the compartment. Push the nozzle inward to release internal pressure and place in a cool or shady area.
- Turn the Ignition Knob to 'ON' to release any excess gas inside the regulator. Repeat the 3 steps for inserting the gas cartridge after it has cooled down.



WARNING

BEFORE LIGHTING THE COOKER, ALWAYS ENSURE THAT THE PAN SUPPORT/DRIP TRAY HAS BEEN TURNED AND PLACED IN THE UPRIGHT AND CORRECT POSITION.



WARNING

THE OPENINGS AT THE BASE OF THE BURNER PROVIDE AIR FOR COMBUSTION, THEY SHOULD NEVER BE OBSTRUCTED. IF THE FLAME BECOMES SIGNIFICANTLY ORANGE CHECK THESE OPENINGS FOR A BLOCKAGE.

IF THE APPLIANCE CANNOT BE ADJUSTED TO PERFORM CORRECTLY IT SHOULD NOT BE USED UNTIL SERVICED OR REPAIRED.