

SAFETY TIPS

DO'S

- Turn gas off at ignition knob after use.
- Check that burner is fully extinguished before disconnecting the gas cartridge.
- Remove the gas cartridge when not in use.
- Change the gas cartridge outside and away from people.
- Check the seals before connecting a new gas cartridge to the stove.
- Always remove the stove from the carry case prior to use.
- Keep children away from this stove.
- Make sure there is adequate ventilation under the unit.
- Only operate on flat, non-combustible horizontal surface.
- Use the stove in cool places or in the shade. Keep the cartridge compartment out of direct sunlight.
- Always check the gas cartridge position inside the compartment for leaks. If a leak occurs, turn off the supply and remove the gas cartridge.

DONT'S

- DO NOT OPERATE IN AN ENCLOSED AREA WITHOUT VENTILATION.
- DO NOT operate in a boat, caravan or tent.
- DO NOT modify this stove.
- DO NOT use the stove in sand or on gravel surfaces.
- DO NOT move the stove while it is lit.
- Avoid using the stove in very windy conditions.
- DO NOT use a cooking pan that is larger than 20cm in diameter at base.
- DO NOT use stove as a room heater or clothes drier.
- DO NOT place articles on or against this stove.
- DO NOT place chemicals or flammable materials, or spray aerosols near this stove.

CARE AND CLEANING

- The outside of the stove can be wiped clean with a mild solution of dishwashing detergent and finished off with a dry cloth. Do not use abrasive pads.
- The drip pan can be washed thoroughly. Always dry after washing.
- We recommend the burner head be cleaned by gentle scrubbing with a dry brush at least annually. Ensure that the burner ports are free of any obstructions.
- Occasionally clean the point of the piezo plug with a hard brush or file.

KEEP THIS APPLIANCE AWAY FROM COMBUSTIBLE MATERIALS

MINIMUM CLEARANCES: REAR 600mm - SIDE 600mm - TOP 500mm

Nominal gas consumption - 163g/h Injector Size 0.6mm

TROUBLESHOOTING

Problem Cause	No Ignition	No Burning	Unstable Flame	Uneven Flame	Slow Burning	Gas Smell	Stopped Working While in Use	Continued Burning	Solution
Lack of fuel	●	●			●		●		Replace Cartridge
Piezo plug dirty	●								Clean spark point
Dirty burner	●	●	●	●	●				Clean burner
Cartridge misaligned	●	●	●		●	●			Reset correctly
Dirty burner or empty cartridge	●	●		●	●				Request for inspection/service
Faulty knob mechanism	●					●		●	Request for inspection/repair
Internal gas pressure too high							●		Cool down gas
Safety device activated	●							●	Request for inspection/service
Improper setting of spark point	●								Set spark point to 2mm (5/64") away from burner

Due to continual development, specifications are subject to change without notice.

Gasmate®

DELUXE PORTABLE STOVE

Model No. PC1090

Rotary piezo ignition

Pressure sensing safety shut-off device

Convenient storage/carry case

Perfect for camping or home

Uses standard butane cartridge

For outdoor use only

Approved to NZ Standards



WARNING

ONLY USE IN WELL VENTILATED AREAS. CARBON MONOXIDE HAZARD - USING THIS APPLIANCE IN AN ENCLOSED SPACE MAY CAUSE DEATH. DO NOT USE IN CARAVANS, TENTS, MARINE CRAFT, CARS, MOBILE HOMES OR SIMILAR LOCATIONS.

NOT FOR COMMERCIAL USE



- DO NOT** USE MULTIPLE APPLIANCES TO HEAT A SINGLE COOKING DEVICE
 - DO NOT** USE OVERSIZED COOKING DEVICES (MAXIMUM 20cm DIAMETER)
 - DO NOT** USE AS A SPACE HEATER OR FOR ANY PURPOSE OTHER THAN COOKING
- DURING USE AVOID BOIL OVER AND SPILLAGE**

Gasmate® is a registered trademark of: Sitro Group Australia Pty Ltd www.gasmate.com.au
Aber, Hamilton, N.Z. www.gasmate.co.nz

Important: Retain these instructions for future use.



WARNING

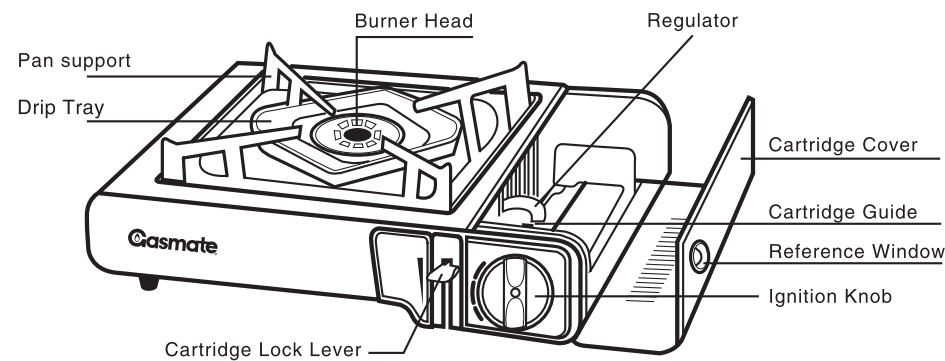
NEVER USE A POT OR PAN OVER 20CM DIAMETER.

IMPORTANT

Read these instructions for use carefully. Familiarise yourself with the appliance before connecting it to its 220g gas cartridge. Keep these instructions for future reference.

This appliance shall only be used with a 220g Butane gas cartridge certified to EN 417 or equivalent. IT MAY BE HAZARDOUS TO ATTEMPT TO FIT OTHER TYPES OF GAS CARTRIDGE.
* REMOVE ANY TRANSIT PROTECTION MATERIAL.

PARTS LIST



TO START

1. Remove stove from plastic carry case and place on level non-combustible surface. Remove any transit protection material. (Fig. 1)
2. Select 220g Butane gas cartridge certified to EN 417 or equivalent for use with stove (Fig. 2)

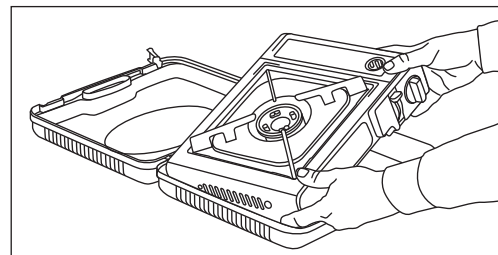


Fig. 1

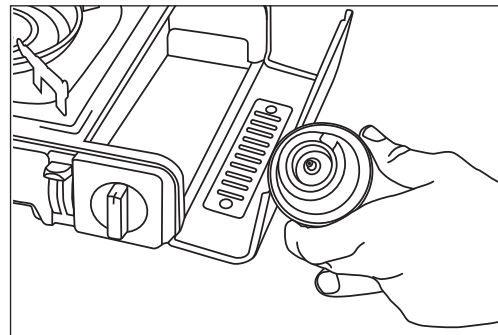


Fig. 2

INSERTING THE GAS CARTRIDGE

3. Turn the Ignition Knob to 'OFF' and set the Cartridge Lock lever to 'UNLOCK'. (Fig. 3)

Note: If the Ignition Knob is 'ON' the gas cartridge cannot be loaded into the stove.

4. Open the Cartridge Cover: slide the gas cartridge, top end first and with its notch up, into the compartment. Align cartridge collar notch with the locator tab on the appliance. (Fig. 4)

Check that the seals between the appliance and the gas cartridge are in place and in good condition before connecting the gas cartridge.

- DO NOT use this appliance if it has damaged or worn seals.
- DO NOT use this appliance if it is leaking, damaged or does not operate properly.

5. Push the Cartridge Lock down to 'LOCK' in one firm motion (Fig. 5).

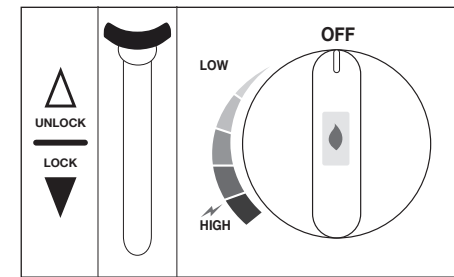


Fig. 3

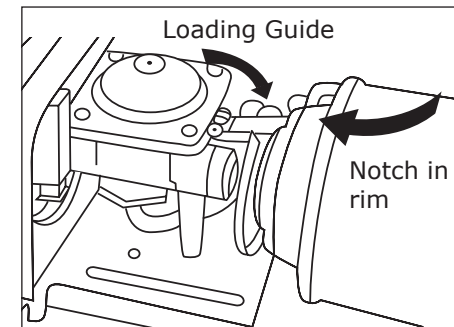


Fig. 4

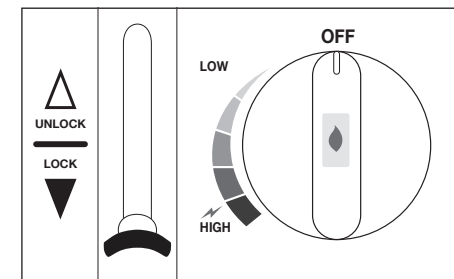


Fig. 5



WARNING

THE OPENINGS AT THE BASE OF THE BURNER PROVIDE AIR FOR COMBUSTION, THEY SHOULD NEVER BE OBSTRUCTED. IF THE FLAME BECOMES SIGNIFICANTLY ORANGE CHECK THESE OPENINGS FOR A BLOCKAGE.

IF THE APPLIANCE CANNOT BE ADJUSTED TO PERFORM CORRECTLY IT SHOULD NOT BE USED UNTIL SERVICED OR REPAIRED.

LIGHTING THE STOVE

1. Turn the knob anti-clockwise past the 'HIGH' position until a click is heard.
2. If the burner fails to light, immediately turn the Ignition Knob to the 'OFF' position and repeat Step 1.

TO ADJUST HEAT

1. Flame can be controlled by turning the Ignition Knob between the 'HIGH' and 'LOW' position.

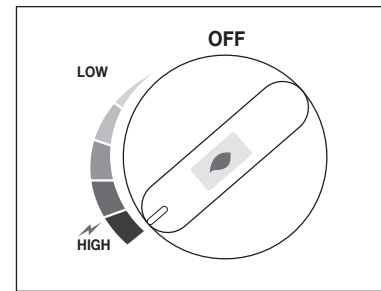


Fig. 6

TO SHUT OFF

1. Turn the Ignition Knob to 'OFF' to shut off fuel supply (Fig. 7). Wait until the flame is fully extinguished before performing the next step.
2. Raise the Cartridge Lock Lever to 'UNLOCK' and remove the gas cartridge from the compartment.

Note: Do not leave the gas cartridge inside the unit when not in use.

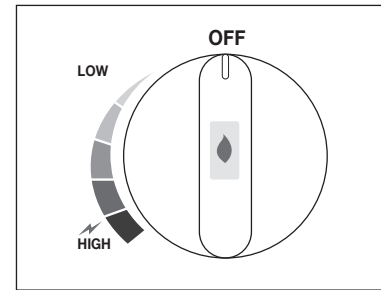


Fig. 7

- The cartridge may be disconnected even if some gas remains.
- Check the contents by shaking and listening for the liquid gas.

Gas cartridge shall only be changed in a well ventilated location, preferably outside, away from people and way from sources of ignition; such as naked flames, pilot flames, electric heaters/equipment.

If there is a leak on your appliance (smell of gas) and you cannot stop the gas flow, remove the appliance to a well ventilated location away from any ignition source. Only check for leaks outdoors using soapy water. DO NOT try to detect leaks using a flame.

This appliance must only be serviced by an authorised person.

AFTER USE

1. Replace the cap on the gas cartridge after removing it from the unit. Store upright in a cool dry place.
2. Make sure the burner is cool to touch before packing unit away.
3. **DO NOT** store the cartridge near other flammables.
DO NOT store the cartridge near sources of heat or direct sunlight.
DO NOT store in the glove compartment or boot of your car.
DO NOT puncture or incinerate empty cartridges.

HANDLING WHEN THE AUTOMATIC SAFETY SHUT-OFF DEVICE IS ACTIVATED

- When used in high temperature areas, such as the beach during summer, the internal pressure of the cartridge may rise to more than 7Kg/cm² (normal pressure = 3-4Kg/cm²). This will activate the Automatic Safety Shut-off Device inside the regulator.
- Remove the gas cartridge from the compartment. Push the nozzle inward to release internal pressure and place in a cool or shady area.
- Turn the Ignition Knob to 'HIGH' to release any excess gas inside the regulator. Repeat the 3 steps for inserting the gas cartridge after it has cooled down.