



AVENIR

68L BAR FRIDGE

GM178-117



- Create the ultimate outdoor kitchen by adding a Gasmate Avenir Fridge to your Avenir BBQ (sold separately) or use on its own
- 304 grade stainless steel top, fascia and door with glass insert and powder coated cabinet
- Internal light
- 3 height adjustable shelves
- Locking castors
- Designed for outdoor undercover use
- Assembled dimensions (mm): 500W x 910H x 575D

Important: Retain these instructions for future use

PRODUCT DESCRIPTION

Inspect contents of the box to ensure all parts are included and undamaged



TECHNICAL SPECIFICATIONS

Specifications are subject to change without prior notice.

If the technical specifications are different from the plate on the back of the refrigerator, please refer to the plate.

Model No:	GM178-117
Climatic Class:	N
Anti-shock protection:	I
Total Storage Volume:	68L
Rated Power Input:	80W
Rated Voltage:	AC220-240V
Rated Frequency:	50Hz
Power Consumption:	0.8kW/h 24hr
Refrigerant/Charging amount:	R600a/35g

INSTALLATION & OPERATION

Electrical Installation

The electrical system of this refrigerator must be supplied through a residual current device (RCD) having a rated residual operating current not exceeding 30 mA. If uncertain have a qualified electrician check your electrical system before installation and/or use. All electrical connections are to be made in a dry area. Outdoor power points must be weatherproof and installed by a qualified electrician.

Safety

Before attempting to operate this refrigerator, the following basic safety precautions should be taken to reduce the risk of fire, electric shock and personal injury. It is important to read the instruction manual and to understand it's applications, limitations and potential hazards associated with this refrigerator. This refrigerator is not intended for use by persons (including children) with reduced physical, sensory or mental capabilities, or lack of experience and knowledge, unless they have been given supervision or instruction concerning the use of the appliance by a person responsible for their safety. It is important that you read, understand and follow these instructions very carefully. They are designed for the safety of yourself and others ensuring a long and trouble free service life from your refrigerator. This electric refrigerator complies with Australian and International standards and safety requirements. Repairs should only be carried out by qualified persons using original spare parts. Failure to do so may result in considerable danger to the operator.

Kitchen/Module Installation

Modules can only be installed to the right hand side of the BBQ. The side burner MUST NOT be removed.

Leave at least 200mm of distance between the back of the unit and the wall for ventilation and leave a space with an open angle of 160 ° for the door.

All units must be undercover.

SAFE OPERATION

Beware of Children and Pets

Children should not be allowed to touch or operate refrigerators or touch extension cords, if used. All refrigerators should be kept out of reach of children, preferably stored or locked in a secure room when not in use.

Do Not Abuse the Power Cord

Never yank or pull on the power cord to disconnect it from the mains supply socket. Never carry your refrigerator by its power cord. Keep the power cord away from heat, oil, solvents and sharp edges. Check power cord regularly for signs of damage. If the power cord becomes damaged have it replaced by an authorised service facility. The supply cord should be regularly examined for signs of damage and the appliance is not to be used if the cord is damaged.

Extension Cords and Reels

This refrigerator is NOT designed to run off an extension cord. If you require an additional power point please have one installed by a qualified electrician.

The use of extension cords may cause power voltage loss which will result in damage to the compressor this will NOT be covered under warranty.



FOR YOUR SAFETY

NOTE: If using the refrigerator outside in an alfresco area ensure that it is directly connected to an outdoors power point.

Ensure this refrigerator is not left in the weather or in direct sunlight.

The electrical system of this refrigerator must be supplied through a residual current device (RCD) having a rated residual operating current not exceeding 30 mA. If uncertain have a qualified electrician check your electrical system before installation and/or use.

All electrical connections are to be made in a dry area.

Outdoor power points must be weatherproof and installed by a qualified electrician.

Gasmate is not responsible for incorrectly located refrigerators.

SPECIFIC SAFETY INSTRUCTIONS



WARNING

Do not use the refrigerator in areas where there is a risk of explosion or fire from flammable gases. Ensure that the area is kept clear of combustible materials. Do not use the refrigerator in damp areas, without suitable ventilation.

Fire risk exists if this refrigerator is covered by or positioned close to curtains or other combustible materials.

- This refrigerator is intended for domestic/household use only.
- DO NOT use this refrigerator in either the bathroom or ensuite.
- DO NOT use a 3rd party timer, or programmable system with this refrigerator.
- DO NOT clean the refrigerator while the refrigerator is on or plugged into the mains power supply.
- DO NOT attempt to modify the refrigerator, power cord, power plug or the supplied accessories in any way.
- DO NOT expose the refrigerator to rain, water, or use in damp wet conditions.
- DO NOT expose the refrigerator to direct sunlight.
- If left in direct sunlight the fridge may not operate as designed.
- NEVER use with the power cord coiled, bundled up or tied up. Always extend fully before use.
- NEVER use the refrigerator if any part of it is damaged.
- Ensure that the refrigerator is disconnected from the mains supply when installing, cleaning or removing/installing.
- Always turn the refrigerator OFF at the unit switch and the power point switch when not in use for extended periods of time.
- Always ensure that the power cord is fully extended.
- Always ensure that the refrigerator is kept clean and free from dust.
- Never use refrigerator with cracked/broken glass - replace glass before use.
- Only use this refrigerator on flat and level ground.
- Before you throw away your old refrigerator, take off the door, leave the shelves in place, so that children may not easily climb inside.
- Never allow children to operate, play with or crawl inside the appliance.
- This refrigerator is not designed for perishable foods. It is a drinks refrigerator.
- Adults and children should never sit or stand on the fridge as injury may occur.



WARNING

- When you dispose of your old refrigerators and freezers, remove any doors. Children can suffocate if they get trapped inside.
- This appliance contains insulation formed with flammable blowing gases. Avoid safety hazards by carefully disposing of this appliance.
- The appliance must be plugged into its own dedicated 220-240V, 50Hz AC electrical outlet.
- Ensure that the electric outlet is properly earthed to ground. Consult a qualified electrician if you are unsure.
- Do not use an extension cord or adaptor plug.
- Unplug the appliance before cleaning.
- Never unplug the appliance by pulling on the power cord. Always grip the plug firmly, and pull straight out of the receptacle to prevent damaging the power cord.
- Chose a location that is not too cold - the temperature should be above 10°C.
- Chose a location that is not affected by direct sunlight.
- Put the appliance in a dry place, avoiding areas of high moisture or humidity.
- Don't put the appliance in direct sunlight.
- Don't put the appliance near stoves, fires or heaters.
- The appliance shall not be exposed to rain.
- Keep ventilation openings, in the appliance enclosure or in the built-in structure, clear of obstruction. Do not use mechanical devices or other means to accelerate the defrosting process.
- Do not use electrical appliance inside the food storage compartments of the appliance.
- If power cord is damaged, it must be replaced by the manufacturer or its service agent or a similarly qualified person in order to avoid a hazard. The appliance is not to be used if the power cord is damaged.
- The electrical system of this refrigerator must be connected with an automatic 30mA circuit breaker and/or residual current device (RCD). If uncertain have a qualified electrician check your electrical system before installation and/or use.

Protection from Moisture

Avoiding placing the refrigerator in a place where heavy moisture is present so as to minimise possibility of rusting of metal parts. The refrigerator should be kept out of water or direct sprayed water, failure to do this could cause poor performance and/or an electrical short could occur. Moisture and/or water should be wiped off immediately using a soft cloth.

Protection from Heat

The refrigerator should be protected from excessive heat sources and out of direct sunlight.

Moving

When fixed or moved, the refrigerator cannot be set horizontally or reclined to more than 45° or positioned upside down.

Never move while refrigerator is plugged in and operating.

Once you have moved the refrigerator, leave standing in a level position for 4 - 6 hours so that the gas can settle.

Positioning

Ensure the rear of the fridge has at least a 200mm clearance to ensure adequate ventilation.

Never cover the bottom front grill as this is required for ventilation.

After installation the appliance should be left for 1-2 hours before it is switched on in order to allow the refrigerant to settle.

Disposal of Old Appliances

The majority of components are recyclable, however there are also dangerous chemicals inside. To dispose of old fridges remove the doors and contact your local council for recycling options.

Electrical Installation

The electrical system of this refrigerator must be supplied through a residual current device (RCD) having a rated residual operating current not exceeding 30 mA. If uncertain have a qualified electrician check your electrical system before installation and/or use.

IMPORTANT

Electrical Data

This refrigerator must be connected to a supply voltage that is equal to that stated on the rating label. If the mains connection plug or power cord becomes damaged it must be replaced with a complete assembly that is identical to the original, and this must be replaced by an authorised service centre. The supply cord should be regularly examined for signs of damage and the appliance is not to be used if the cord is damaged. Always follow the local requirements for connection to the mains supply. If in doubt always consult a qualified electrician.

Note: Before using your refrigerator, unpack and correctly position. Once in position leave to stand for around 1-2 hours before turning on for the first time.

Preparation

1. Remove the carton and packing foam (including the bottom foam) before using.
2. Wipe the unit clean before using to remove any residue from the unit.
3. After moving the fridge into place leave to stand for 1-2 hours before switching it on.
4. Close the door, connect to power and turn unit on. The fridge should be kept empty for one hour.

Food Storage

Do not put a large amount of items into the unit at one time. You should leave some space around the items to let cold air inside the fridge flow. Keep bottled items away from the walls so they do not freeze and crack.

Do not put warm food into the fridge directly, as it will lower the fridges energy consumption and shorten the life of the compressor.

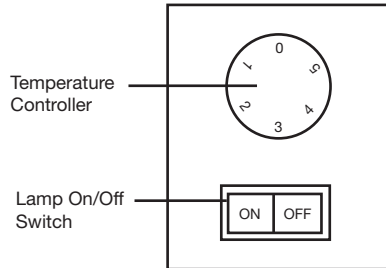
Setting and adjusting the temperature

Adjust the temperature with the temperature controller located at the back of the fridge.

Adjust the temperature by turning the temperature controller clockwise. The higher the number, the lower the temperature.

Frequent adjustment is not recommended.

Position "0" is off.



Kitchen/Module Installation

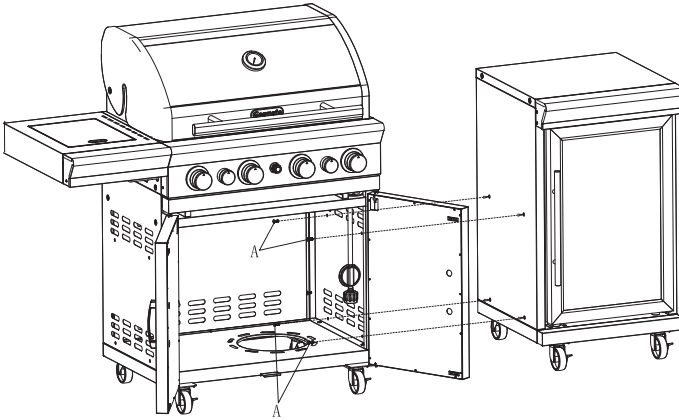
Modules can only be installed to the right hand side of the BBQ. The side burner **MUST NOT** be removed.

Modules must be a minimum of 200mm away from walls for ventilation. All units must be undercover.

Step 1:

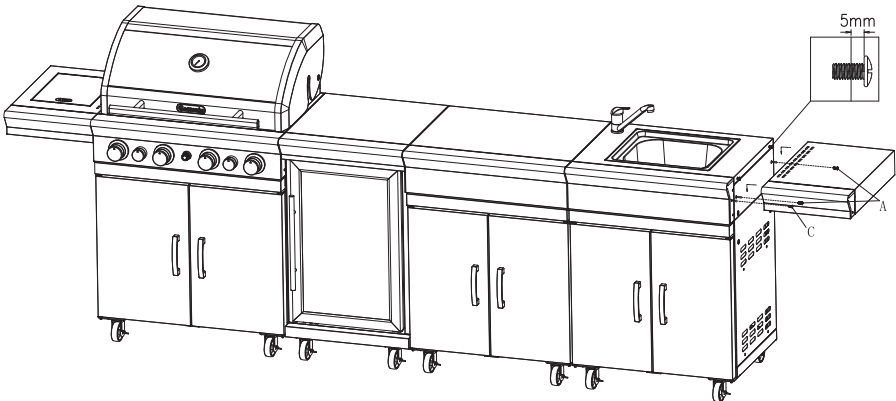
Unscrew the BBQ side shelf from the BBQ (if attached).

Using 4x M6x15 screws (A) attach the BBQ or module to the fridge. Repeat this step on the other side of the fridge if attaching more modules.



Step 2:

Reattach the side shelf to the last module in your kitchen using 4x M6x15mm screws (A) leaving a 5mm gap & 1x M5x12mm screw (C).



MAINTENANCE

When performing maintenance, make absolutely sure that the power plug is first disconnected from the power outlet.

The refrigerator should be cleaned and maintained regularly with a soft clean cloth.

Wipe the inner and outer surface of the refrigerator and its accessories with soft clean wet cloth. If they are too dirty, scrub them with neutral detergent, and then clean them with water and dry them with a clean cloth.

Never use hot water, petrol, alcohol, kerosene, abrasive powder, alkaline detergent, acid, oven cleaners, etc. These could damage the lacquer finish and plastics.

If the plastic parts in refrigerator become contaminated by oil (animal or vegetable), they could become brittle and possibly cracked.



CAUTION

- Never lick icy drinks when they first come out of the refrigerator. This can freeze burn your lips and mouth.
- If the supply cord is damaged, it must be replaced by professional electrician. The cord must be replaced with a cord of the same specification.
- Before you throw away your old refrigerator, take off the door, leave the shelves in place, so that children may not easily climb inside.
- Never allow children to operate, play with or crawl inside the appliance.
- This refrigerator is not designed for perishable foods. It is a drinks refrigerator.

TROUBLE SHOOTING

1. If the refrigerator does not work:

Check if there is a power failure.

Check if the power plug is plugged into the power outlet.

Check that the R.C.D. has not been tripped.

2. If the refrigerator is cooling excessively:

The temperature control dial may be set too high. If you place drinks containing a lot of water directly under the cool air outlets they may freeze. This does not indicate a malfunction.

If the compressor is running continuously the thermostat may not be working correctly, contact service department.

3. If the refrigerator is not cooling sufficiently:

The fridge items may be packed too tightly together which will block the flow of cool air. You may have put something hot or a lot of drinks into the refrigerator.

The door may not have closed properly. There may be insufficient clearance between the refrigerator and the other surfaces, both sides, back and above. The temperature control dial may not be set low enough.

4. If condensation forms on the outside of the refrigerator:

Small amount of condensation may form on the outside when the humidity is high. It does not indicate a malfunction. Wipe dry with a cloth.

5. If you hear sounds from the refrigerator:

Water Sounds: A sound like water flowing is the refrigerant flowing. It does not indicate a malfunction.

Loud Buzzing or High Noise: The unit may not be level, the pipes might be touching the compressor or the fasteners may be loose.

6. If the cabinets side and front panel heats up:

The front and side panel of the cabinet will heat up when the door is opened and closed frequently, when starting the unit and when the unit operates in summer with high ambient outside temperature. It does not indicate a malfunction.

. The lamp is not on:

The bulb will need replacing. Remove the lamp shade, take out the bulb, replace with a new bulb, then replace shade.

Aber Living warrants the purchaser of this product against defects in workmanship and material, for a period of up to 12 months from the date of purchase. The warranty is non-transferable and becomes void if used for commercial or rental purposes.

Warranty and purchase receipt of this product are to be retained as proof of purchase and must be presented if making a claim under the terms of the Aber Living Warranty. Repairs under warranty are free of charge, provided the product is delivered to our Service Department or Authorised Service Agent and freight charges both ways are paid by the owner. No liability will be accepted for any loss of damage in transit.

Aber Living reserves the rights to replace or repair the product within the warranty period. Warranty does not apply to any defect, deterioration (including corrosion if located within 1km of the sea), loss, injury or damage occasioned by or as a result of the misuse or abuse, negligent handling or if the product has not been installed and used in accordance with the instructions. The warranty is void if there is evidence of the product being tampered with by unauthorised persons.

If the product includes various accessories or components, only the defective accessory or component will be replaced or repaired.

Aber Living reserves the right to replace defective parts of the product with parts and components of similar quality, grade and composition where an identical part or component is not available.

Products presented for repair may be replaced by refurbished products of the same type rather than being repaired. Refurbished parts may be used to repair the products.

In the event of Aber Living choosing to replace the product, the warranty will expire at the original date, i.e. 12 months from the original purchase date.

Where this product contains information from an overseas country, nothing in that information is intended to limit any condition, guarantee, right or remedy which may be available under the Consumer Guarantees Act 1993, except to the extent permitted by that Act.

Approved for Outdoor Use Only

For service, spare parts or product information in New Zealand, please call Aber Living on the Customer Service Line - 0800 161 161. www.aberliving.co.nz

YOUR PURCHASE RECORD (PLEASE COMPLETE)

Date of Purchase_____

Model Number_____

Serial Number (if applicable)_____

Purchased from_____