



NOMAD

PORTABLE BBQ STAND

Model No. GM152-153



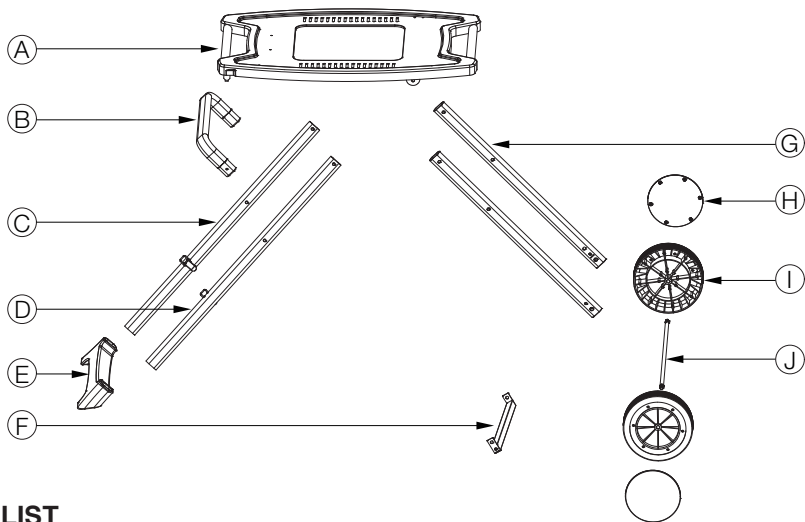
Stand for the NOMAD Portable BBQ
(GM152-152)

(BBQ not included)


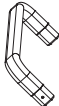





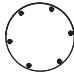


- Sturdy powder coated steel and plastic frame
- Collapsible for easy storage and transport
- Lightweight and portable
- Convenient wheels

Important: Retain these instructions for future use.

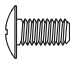
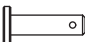
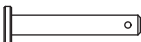



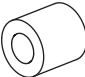

EXPLODED DIAGRAM



PARTS LIST

			
A. Upper panel : x1	B. Upper right leg : x1	C. Left rear leg : x1	D. Left front leg : x1
			
E. Leg base : x1	F. Beam : x1	G. Right leg : x2	H. Wheel cover : x2
			
I. Wheel : x2	J. Wheel axle : x1		

HARDWARE

			
AA. M6x12 : x6	BB. Short Hinge Pin : x2	CC. Long Hinge Pin : x2	DD. Washer : x2
			
EE. R Pin : x4	FF. M6x30 : x2	GG. Wheel axle sleeve : x2	HH. M10 : x2

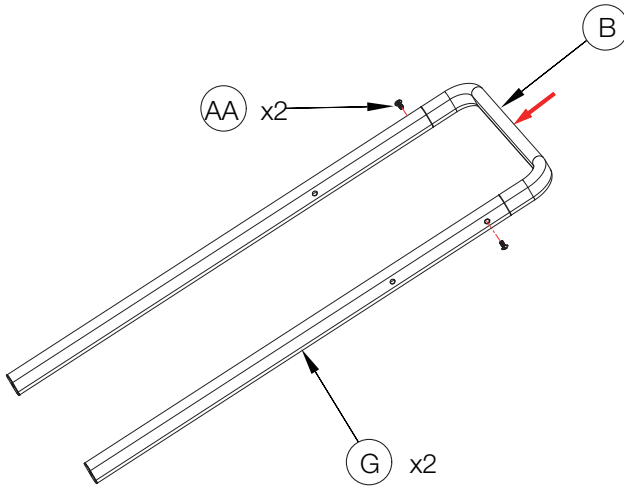
ASSEMBLY INSTRUCTIONS

Remove any transit protection material. Remove all contents from the carton packaging. Make sure all parts are present before attempting assembly.

Once the stand is fully assembled, go back and check to make certain all the fittings are secure.

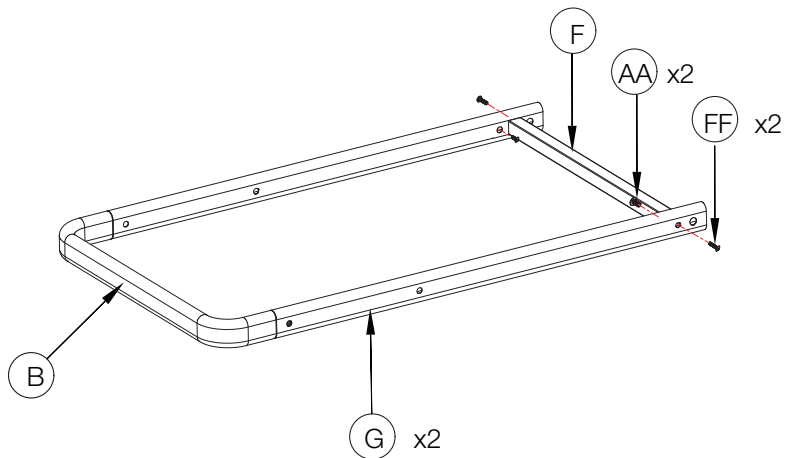
STEP 1

Assemble the upper right leg (B) to right leg (G) by 2pcs M6x12 (AA) screws.



STEP 2

Assemble the beam (F) to right leg (G) by 2pcs M6x12 (AA) screws locking from inner side to outer side, and again locking them by 2pcs M6x30 screws (FF) from outer side to inner side.



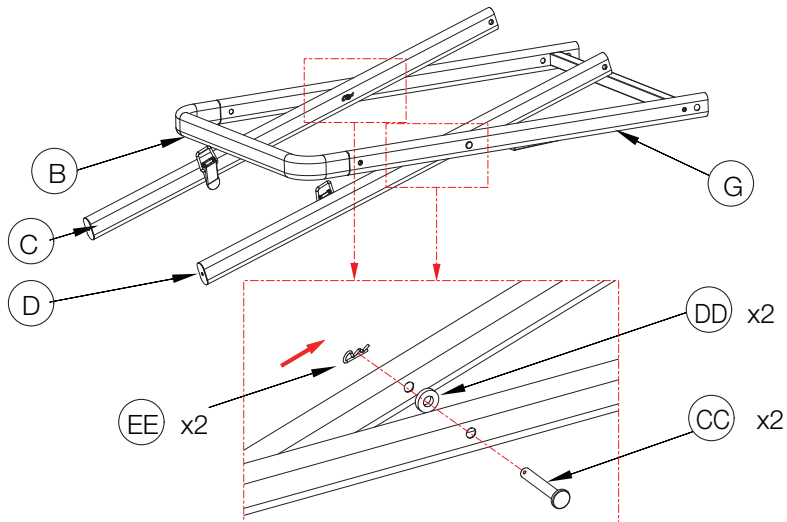
ASSEMBLY INSTRUCTIONS

STEP 3

Assemble the left rear leg (C) and left front leg (D) to right leg assembly by 2pcs long hinge pin (CC), 2pcs washer (DD) and lock by 2pcs R pin (EE).

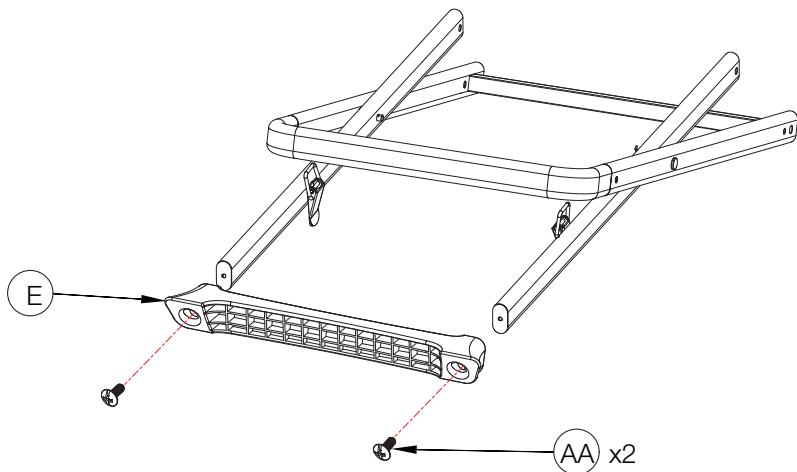
Note that the DD washer locates in the middle of left and right leg.

Note that the left legs are at the inner side while the right legs are at the outer side.



STEP 4

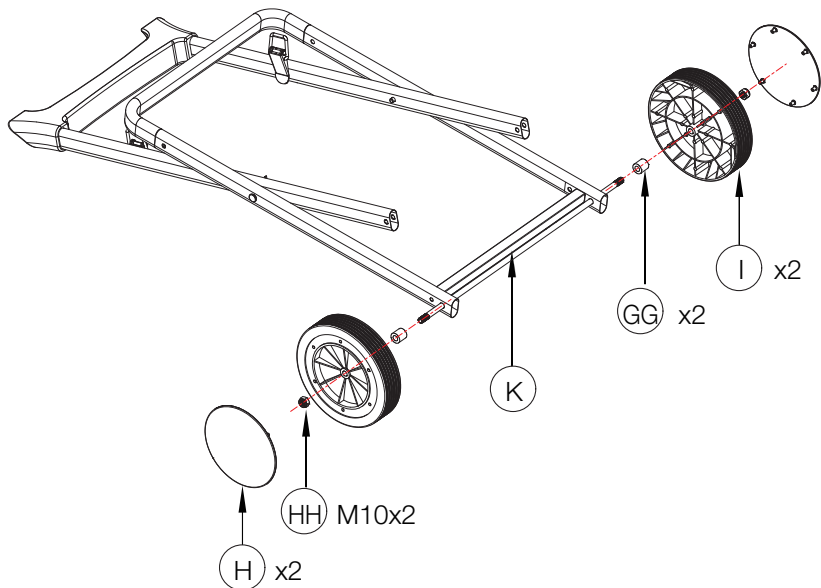
Assemble leg base (E) and lock by 2pcs M6x12 (AA) screws.



ASSEMBLY INSTRUCTIONS

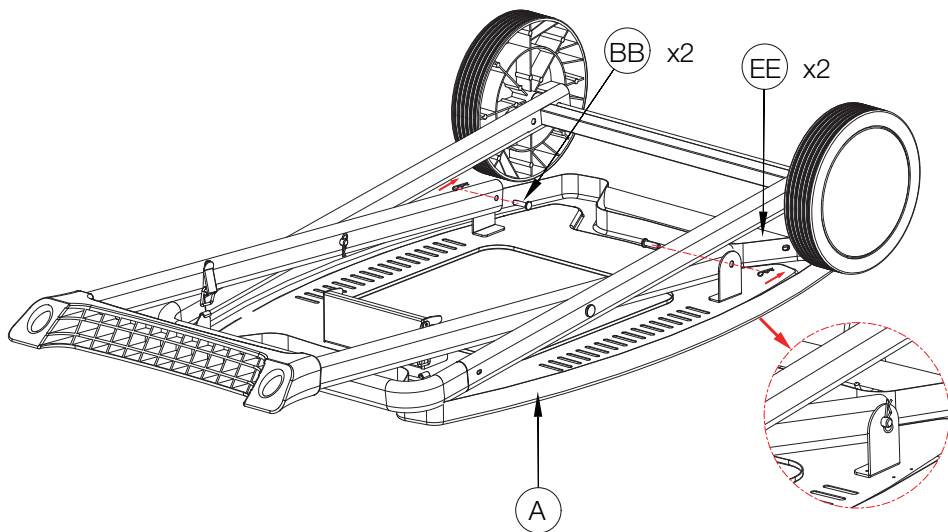
STEP 5

Put the wheel axle through the lowest holes at the right leg assembly, put on wheel axle sleeve (GG), wheel (I) and lock the wheels by 2pcs M10 nut (HH). Then put on the wheel covers.



STEP 6

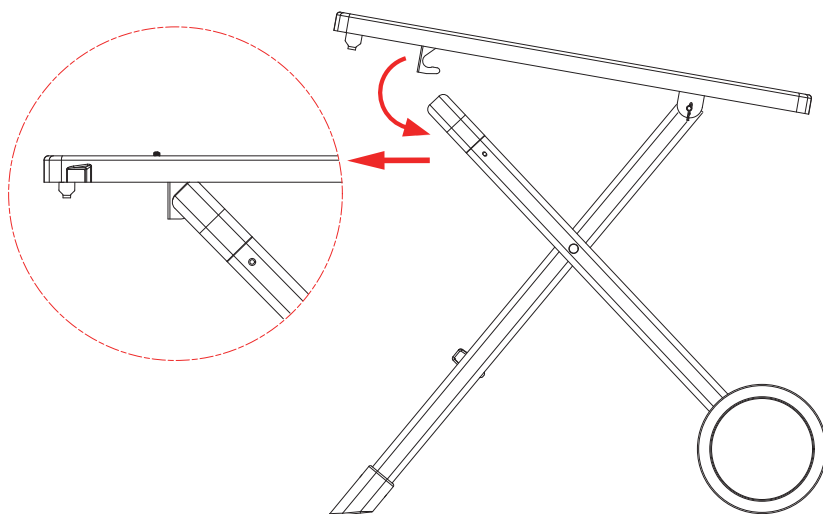
Assemble the legs to the upper panel of trolley by 2pcs short hinge pin (BB) and lock by R pin (EE).



ASSEMBLY INSTRUCTIONS

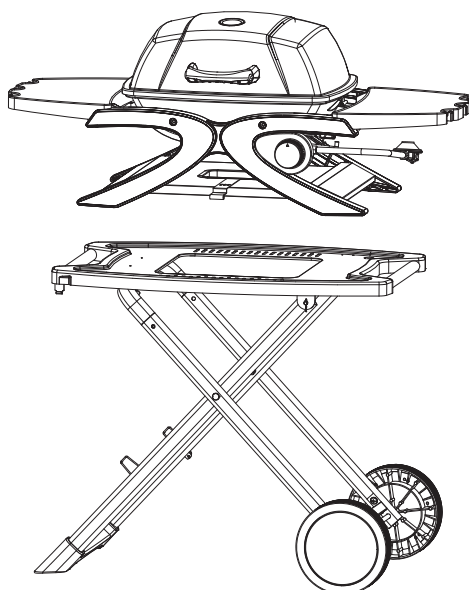
STEP 7

Lift up the upper panel and then slowly put the right leg onto the hook below the upper panel.



STEP 8

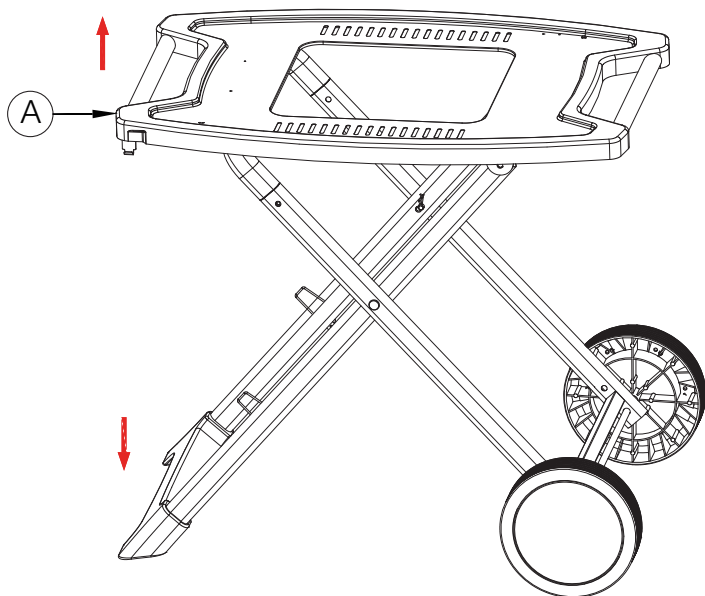
Place the portable grill on the trolley, ensuring that the grill is centered. Do not move trolley when portable grill is placed on top.



FOLDING INSTRUCTIONS

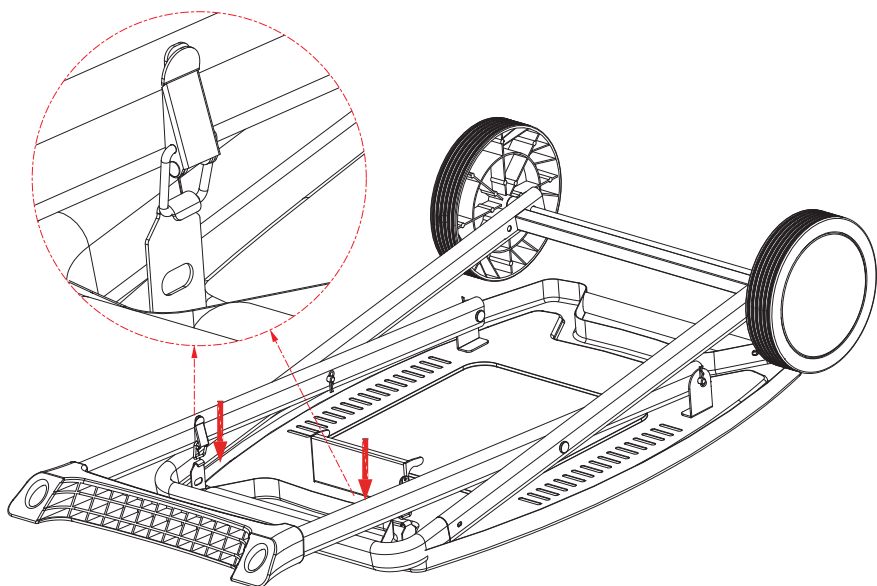
STEP 1

Pull up the upper panel and meanwhile keep the leg base fixed.



STEP 2

Lock the trolley by 2pcs of latches.



This page has been left intentionally blank