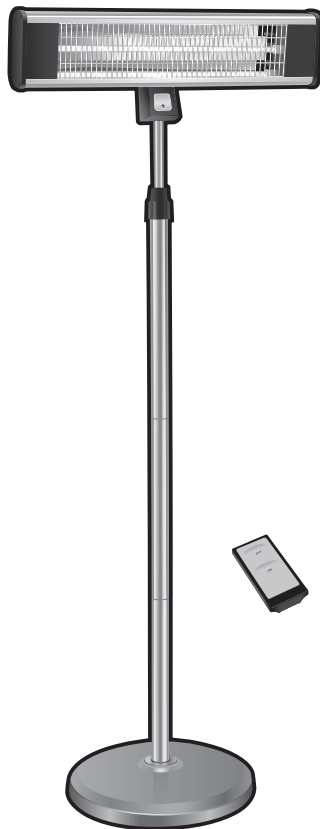




Electric Heater with Stand

Model No. GM135-010



Designed for outdoor use

Important: Retain these instructions for future use.

INSTALLATION, OPERATION AND MAINTENANCE INSTRUCTIONS

BEFORE FIRST USE

- Read and follow all the instructions below even if you feel you are familiar with the heater.
- Remove the packing and make sure that the heater is intact. If in doubt do not use the heater and contact the place of purchase.
- Do not leave packaging materials such as bags and staples within reach of children.
- Dispose of packaging carefully and with consideration for the environment.
- It is ideal to retain the heater carton for seasonal storage.

For your convenience record the date you received the heater on the warranty page of these instructions, and attach your proof of purchase. Retain this information in the event that a warranty service is required.

NOTE: The rating of this heater (as marked on the rating label) is based on specific loading tests. Normal use or the use of other recommended attachments may draw significantly less power.

IMPORTANT SAFETY INFORMATION

Before attempting to operate this heater, the following basic safety precautions should be taken to reduce the risk of fire, electric shock and personal injury. It is important to read the instruction manual and to understand its' applications, limitations and potential hazards associated with this heater.



WARNING: DO NOT COVER IN ORDER TO AVOID OVERHEATING.

To reduce the risk of fire, electrical shock or injury to persons or property:

- To avoid overheating, keep airflow grilles clear of dust and hair build up - especially if you have indoor pets.
- Use only the voltage specified on the rating label of the heater.
- Do not cover or restrict airflow to the inlet or outlet grilles in any manner as the heater may overheat and become a fire risk.
- Do not cover grilles, block entry or exits of airflow by placing the heater against any surface. Keep all objects at least 1 metre from the front, side and rear of the heater.

- Do not locate in areas of high foot traffic, ensure the power cord and heater are in view to avoid accidents.
- Do not operate in areas where gasoline, paint or other flammable liquids are used or stored.
- This heater heats up when in use. To avoid burns, do not touch the front of the heater or any of the grilles or vents.
- Before moving the heater, switch off the heater by unplugging it from the wall and allowing it to cool.
- Do not use the heater to dry clothes.
- Do not insert or allow foreign objects or metal utensils into any ventilation or exhaust openings as this may cause an electric shock, fire or damage to the heater.
- Do not use this heater in the immediate surroundings of a bath, a shower or a swimming pool.
- Do not immerse in liquid or use the heater within 1m or above a water source as this could create an electrical shock hazard.
- If the heater accidentally comes into contact with water switch off the power supply and do not touch the heater.
- Do not operate any heater with a damaged cord or plug or after the heater malfunctions or has been dropped or damaged in any manner - in order to avoid a hazard. Return to a qualified electrical person for service or repair.
- Do not operate the heater with wet hands.
- Do not connect the heater to the mains voltage until completely assembled and adjusted.
- Always operate upright, on a flat surface only.
- **CAUTION:** This product is NOT suitable to be used on long pile carpets or rugs.
- Unroll the cord before operating. Operating with a coiled cord may cause overheating and fire risk.
- This heater is NOT designed to run off an extension cord. If you require an additional power point please have one installed by a qualified electrician.
- Do not remove the plug from the power socket until the heater has been switched off.

- The use of extension cords may cause power voltage loss which will result in damage to the heater this will NOT be covered under warranty.
- Always hold the plug when removing it from the wall, do not pull the cord.
- Always unplug the heater when it is not in use.
- Do not allow the cord to come in to contact with the heater surface during operation.
- Do not run the cord under carpeting, mats or rugs etc. Arrange the cord away from traffic areas so that it will not be tripped over.
- Do not twist, kink or wrap the cord around the heater as this may cause the insulation to weaken and split.
- This heater is not intended for use by persons (including children) with reduced physical, sensory or mental capabilities, or lack of experience and knowledge, unless they have been given supervision or instruction concerning use of the heater by a person responsible for their safety.
- Children should be supervised to ensure that they do not play with the heater.
- This heater is intended for light domestic use and not for heavy duty commercial or industrial use.
- The heater must not be located immediately below or in front of a socket-outlet.
- CAUTION: In order to avoid a hazard due to inadvertent resetting of the thermal cut-out, this heater must not be supplied through an external switching device, such as a timer, or connected to a circuit that is regularly switched on and off by the utility.
- Never remove the cover of the heater – in case of a fault contact a qualified service person.
- Repairs should only be carried out by qualified persons using original spare parts. Failure to do so may result in considerable danger to the operator.
- Use this heater only as described in this manual.
- Any other use is not recommended by the manufacturer and may cause fire, electric shock or injury.

Installation

This heater is not designed for use within 1m or above a water source.

Ensure that the heater is not positioned directly above, below or in front of a power point or switch.

This heater is not designed to be used with 3rd party timer or programmable system.

This electric heater complies with New Zealand and International standards and safety requirements. All installations must meet the requirements of New Zealand Standard AS/NZS 3000:2007.



FOR YOUR SAFETY

WARNING: Fire risk exists if this heater is covered by or positioned close to curtains or other combustible materials.

NOTE: Ensure that this heater is connected directly to an outdoor power point.

The electrical system of this heater must be connected with an automatic circuit breaker and/or residual current device (RCD). If uncertain have a qualified electrician check your electrical system before installation and/or use.

All electrical connections are made in a dry area.

Outdoor power points must be weatherproof and installed by a qualified electrician.

The distributor is not responsible for incorrectly chosen additional fixing accessories or any damage which may be caused by an incorrectly fitted heater.

SPECIFIC SAFETY INSTRUCTIONS



WARNINGS

Do not use the heater in areas where there is a risk of explosion or fire from flammable gases. Ensure that the heating area is kept clear of combustible materials. Do not use the heater in damp areas, without suitable ventilation. This heater is not designed for use within 1m or above a water source. Do not place within one metre (1m) of any water source. Do not place directly in front of, below or above any power points or switches.

Fire risk exists if this heater is covered by or positioned close to curtains or other combustible materials.

- This heater is intended for domestic/ household use only.
- This heater is designed for outdoor use.
- Always ensure that this heater is installed as per the requirements noted in New Zealand Standard AS/NZS 3000:2007.
- Always keep heater at least one metre (1m) from combustible materials.
- DO NOT locate this heater directly below, above or in front of the power supply socket or switch.
- DO NOT use this heater in either a bathroom or ensuite.
- DO NOT use a 3rd party timer, or programmable system with this heater.
- DO NOT clean the heater while the heater is on or plugged into the mains power supply.
- DO NOT touch any part of the heater while on, hot surfaces may burn.
- DO NOT use the heater as a dryer.
- DO NOT attempt to modify the heater, power cord, power plug or the supplied accessories in any way.
- DO NOT expose the heater to rain, water, or use in damp wet conditions.
- NEVER cover this heater.
- NEVER carry the heater by its power supply cord.
- NEVER use with the power cord coiled, bundled up or tied up. Always extend fully before use.
- NEVER use the heater if any part of it is damaged.
- Ensure that the heater is disconnected from the mains supply when installing, cleaning or removing/installing.
- Ensure this heater is not left on when unattended.
- Ensure the heater is not used in areas where flammable gases are present, e.g. paint, petrol etc.
- Always turn the heater OFF at the unit switch and the power point switch when not in use for extended periods of time.
- Always allow the heater to cool, about one (1) hour after the heater has been turned off, before cleaning the heater.
- Always ensure that the power cord is fully extended and NOT in contact with any part of the heater.
- Always ensure that the heater is kept clean and free from dust.
- Only use this heater on a level surface.

ELECTRICAL DATA

IMPORTANT

This product is fitted with a sealed electrical connection plug that is compatible with the heater, the mains supply for New Zealand and meets the requirements of international standards. This heater must be connected to a supply voltage that is equal to that stated on the rating label.

If the mains connection plug or power cord becomes damaged it must be replaced with a complete assembly that is identical to the original, and this must be replaced by an authorised service centre.

Always follow the New Zealand requirements for connection to the mains supply. If in doubt always consult a qualified electrician.

Technical Specification

Model	GM135-010
Voltage:	220V-240V~ 50Hz
Input Wattage:	1800W
Unit Weight:	11.7Kg
IP Rating:	IPx4

Heater specifications can be found on the data label.

ASSEMBLY INSTRUCTIONS

For best results and your safety, please follow the instructions carefully. DO NOT modify this product in any way as the distributor will accept no liability for improper use.

PARTS LIST

No.	Part Name
1	Control box/Heater Head
2	Remote control
3	Cord Clip x 3
4	Screw x 4
5	Upper Tube extension
6	Adjustable Fastener
7	Upper Tube
8	Middle Tube
9	Lower Tube
10	Base
11	Washer
12	L Screw
13	Long screw

Note: Extra Cord Clips are included in case replacement is required.

ASSEMBLY INSTRUCTIONS

INSTALLATION

Step 1

Insert Lower Tube (9) into Base (10) ensuring that tab on Lower Tube slots into hole in Base. Carefully turn the Base/Lower Tube assembly upside down and secure Lower Tube to Base with Washer (11) and "L" shaped screw (12). Please tighten screw completely before moving on to next step.

Step 2

Insert Middle Tube (8) onto top of Lower Tube assembly, Lower Tube will slide inside Middle Tube. Line up the screw holes in Middle Tube with screw holes in Lower Tube. Secure with 2 x Screws (4) and tighten.

Step 3

Release and extend out Upper Tube Extension (5) from Upper Tube (7) by turning Adjustable Fastener (6) counter clockwise. Once Upper Tube extension is fully out tighten Adjustable Fastener by turning clockwise. Insert Tube Extension into the back mounting hole in Control Box (1). Secure with Screw (13).

Step 4

Insert base of Upper Tube into top of Middle Tube, Middle Tube will slide inside Upper Tube (as step 2). Line up the screw holes in Upper Tube with screw holes in Middle Tube. Secure with 2 x Screws (4) and tighten.

Step 5

Clip power cord into Cord Clips down the back of Upper/Middle and Lower Tubes.

Step 6

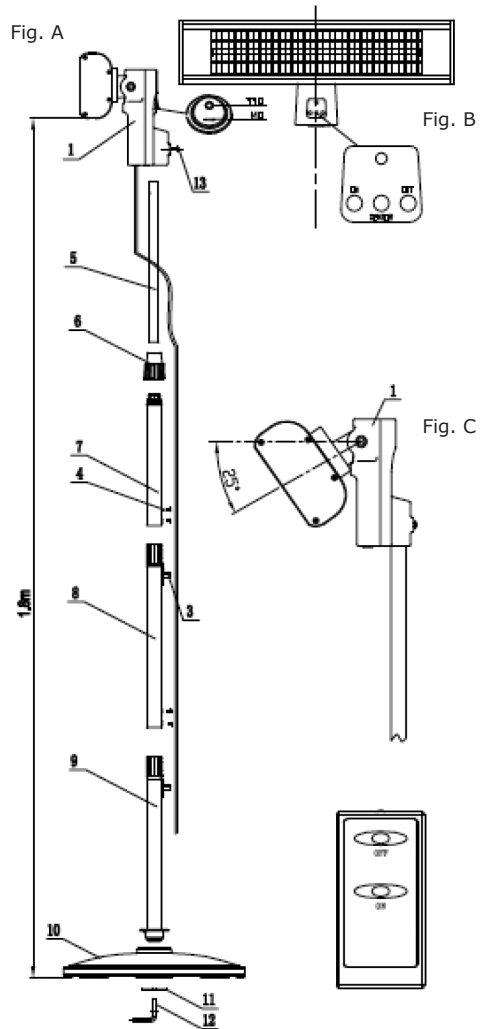
Heater head can be adjusted to various angles by loosening and then tightening the screw on the side of the Control Box as shown in Fig. C.

Step 7

The height of the Heater head can be adjusted by turning Adjustable Fastener (6) counter clockwise and adjusting the head to desired height. Then tighten Adjustable Fastener by turning clockwise.

Step 8

Place 2x AAA batteries in Remote Control.



OPERATING INSTRUCTIONS

POSITIONING THE HEATER

The heater should only be operated at a minimum distance of 1 metre from any wall or other object. Position the heater in order to optimise the air flow of the area.



IMPORTANT

- Heater must not be located immediately below a socket outlet.
- Heater must not be located in front of a socket outlet.

TO OPERATE

1. Plug power cord into 240V AC power point.
2. To turn on - switch the power point on.
3. Switch heater 'ON' at the back on the Control Box. The front indicator light will blink to show that the heater is ready for operation.
4. Press the 'ON' button on the front of the Control Box under the heater head or press 'ON' on the Remote Control. The Indicator light will stay on when the heater is operating.
5. To turn off - switch off the heater by using the "OFF" button on the front of the control box or on the remote control.
6. Then switch off the heater at the back of the control box and then off at the power point.
7. Unplug lead from power point when not in use.

CLEANING AND CARE

IMPORTANT: Turn off the heater. Switch off the power switch and disconnect the heater from the power socket. Wait for the heater to be completely cool before cleaning (at least one hour).

- Vacuum clean air vents and grilles to remove dust from these areas.
- To remove dust on external surfaces, wipe the heater with a damp (not wet) lint- free cloth rinsed in hot soapy water only.
- DO NOT use solvents, e.g. Petrol, Toluene, Methylated Spirits etc to clean the heater, as these will damage the surface finish and may cause a fire when unit is next used.
- DO NOT spray with liquids or submerge in liquids or water.
- DO NOT allow water or mild dish washing solution to enter or drip onto the heater.
- DO NOT attempt to clean the interior of the heater.
- DO NOT attempt to open the heater casing at any time.

STORAGE

- Store the heater carefully in a dust-free area during the off season. It is ideal to store the heater in the carton it was supplied in. Neatly wind the cord of the heater to prevent damage to the cord.

ELECTRIC HEATER RANGE

Aber warrants the purchaser of this product against defects in workmanship and material, for a period of 12 months from the date of purchase. Product is warranted for 12 months for domestic use only. Commercial use will void warranty.

Warranty and purchase receipt of this product are to be retained as proof of purchase and must be presented if making a claim under the terms of the Aber warranty. Repairs under warranty are made free of charge, provided the product is delivered to our Service Department or Authorised Service Agent and freight charges both ways are paid by the owner. No liability will be accepted for any loss or damage in transit.

Aber reserves the right to replace or repair the product within the warranty period. Warranty does not apply to any defect, deterioration (including corrosion), loss, injury or damage occasioned by or as a result of the misuse or abuse, negligent handling or if the product has not been installed and used in accordance with the instructions. The warranty is void if there is evidence of the product being tampered with by unauthorised persons.

In the event of Aber choosing to replace the product, the guarantee will expire at the original date, i.e. 12 months from the original purchase date.

Where this product contains information from an overseas country, nothing in that information is intended to limit any condition, guarantee, right or remedy which may be available under the Consumer Guarantees Act 1993, except to the extent permitted by that Act.

Designed For Outdoor Use

For service, spare parts or product information in New Zealand, please call Aber on the Customer Service Line – 0800 161 161. www.aber.co.nz.

YOUR PURCHASE RECORD (please complete)

Date of Purchase ____/____/____

Model Number _____

Serial Number (if applicable) _____

Purchased from _____

Attach copy of purchase receipt here